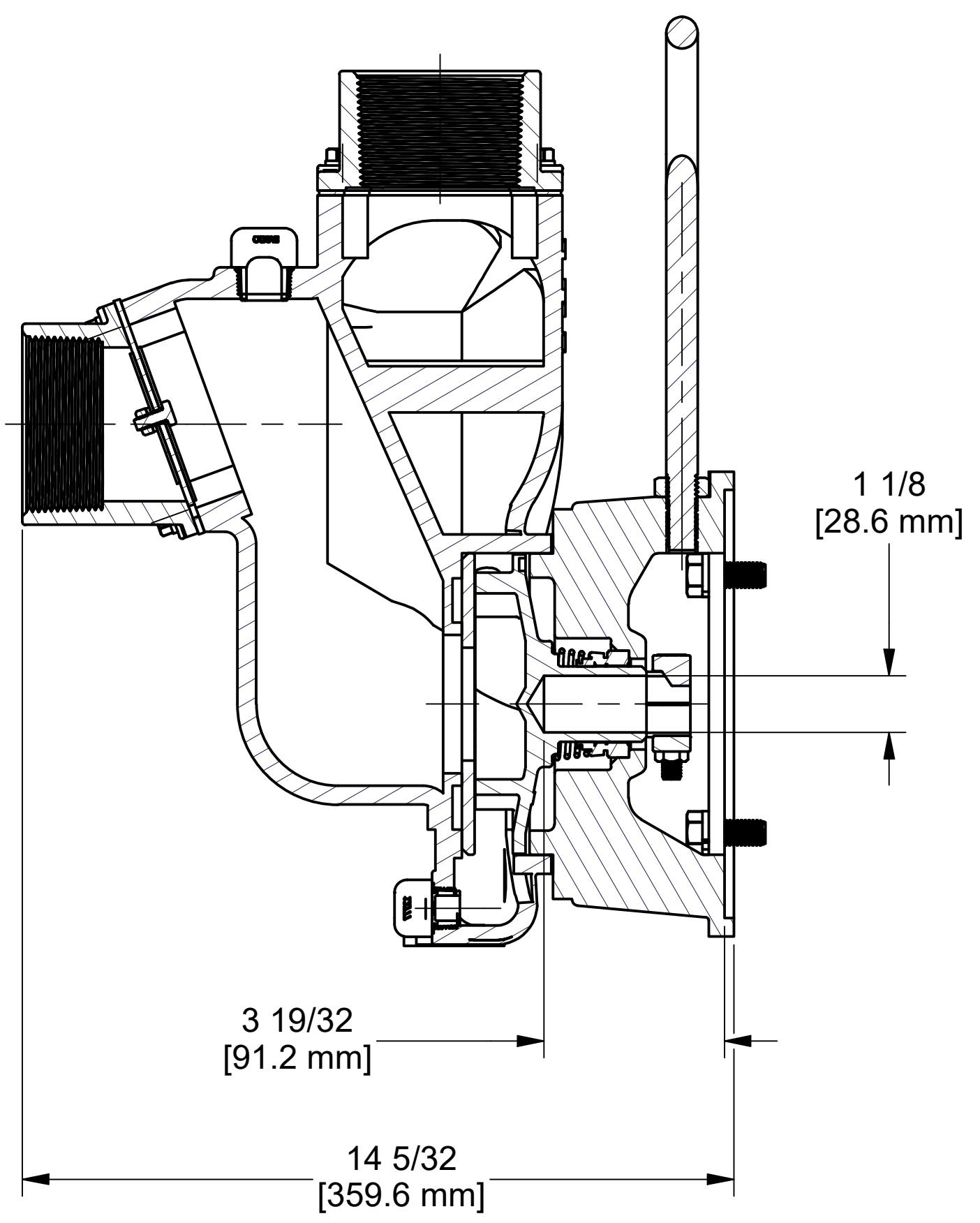
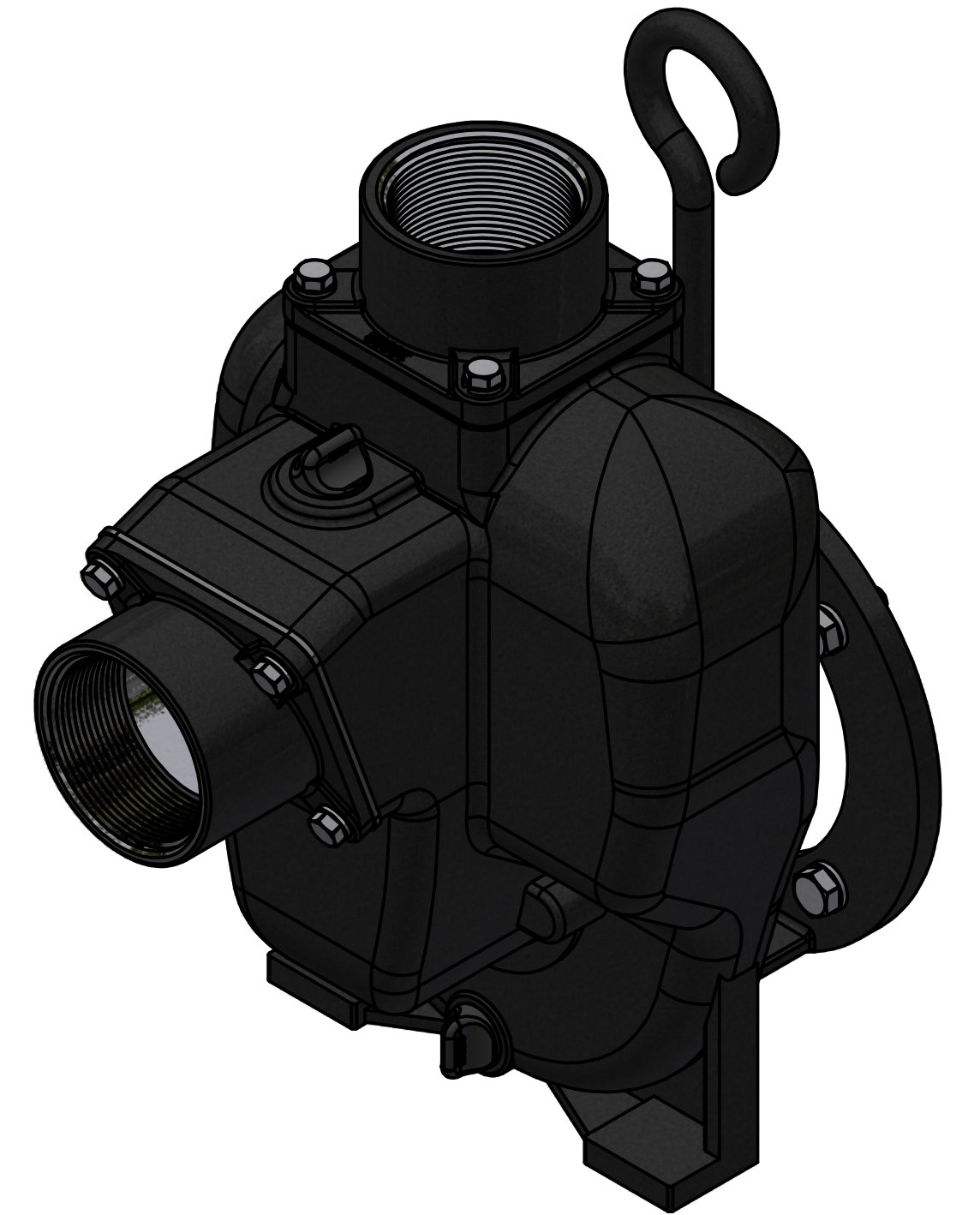
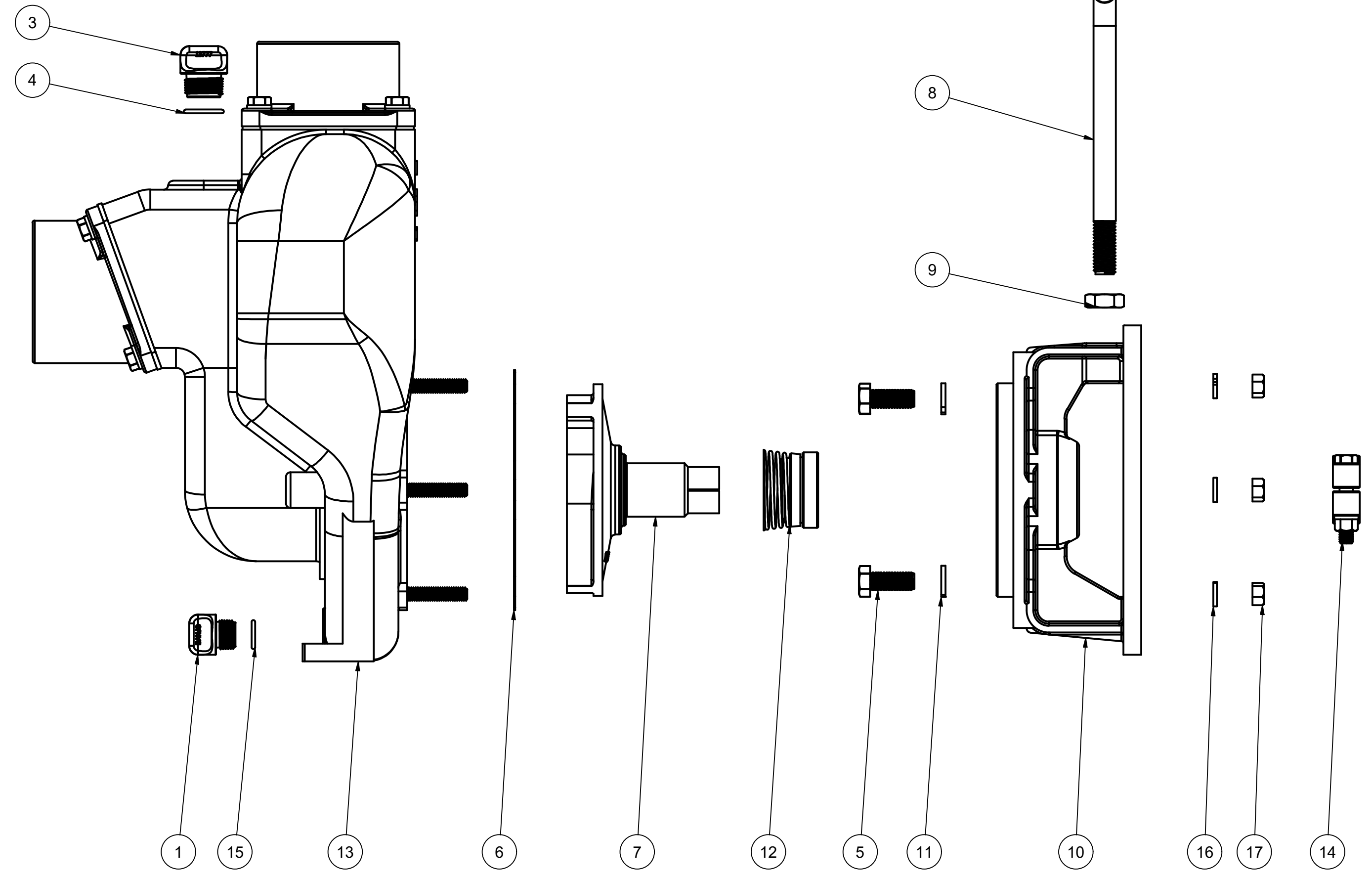


SECTION A-A
SCALE 3/8



PARTS LIST			
ITEM	QTY	PART NUMBER	DESCRIPTION
1	1	12777	1/2" DRAIN PLUG
3	1	13777	3/4" DRAIN PLUG, MOLDED
4	1	13778	AS568A -119 O-RING, EPDM, BLACK
5	4	17449	1/2-13 X 1 1/4" HHCS
6	1	18021	PUMP ADAPTER GASKET
7	1	18023-1.125SS	3" SS PUMP IMPELLER-1.125 ID
8	1	18033	PUMP HANDLE
9	1	18034	5/8-11 JAM NUT
10	1	18048	ELEC. MTR. ADAPTER
11	4	18058	1/2" LOCKWASHER
12	1	18125	MECH. SEAL ASSY.
13	1	18126	3" CI PUMP SUB-ASSEMBLY
14	1	18129	KEYED CLAMP ASSY.
15	1	UV15163	AS568A -114 O-RING, EPDM, BLACK
16	6	V20018	3/8" LOCKWASHER
17	6	V20019	3/8-16 HEX NUT



THIS DRAWING AND ALL INFORMATION CONTAINED THEREON ARE THE EXCLUSIVE PROPERTY OF BANJO CORPORATION.
UNLESS SPECIFICALLY NOTED, THIS DRAWING AND ITEMS SHOWN ON THIS DRAWING ARE SUBJECT TO CHANGE AT ANY TIME.



BANJO CORPORATION
A UNIT OF IDEX CORPORATION
150 BANJO DRIVE, CRAWFORDSVILLE, IN 47933
WEB SITE: WWW.BANJOCORP.COM
E-MAIL: BANJOSALES@IDEXCORP.COM

DESCRIPTION:
3" CAST IRON PUMP W/C-FLANGE

PART NUMBER:
300POICF