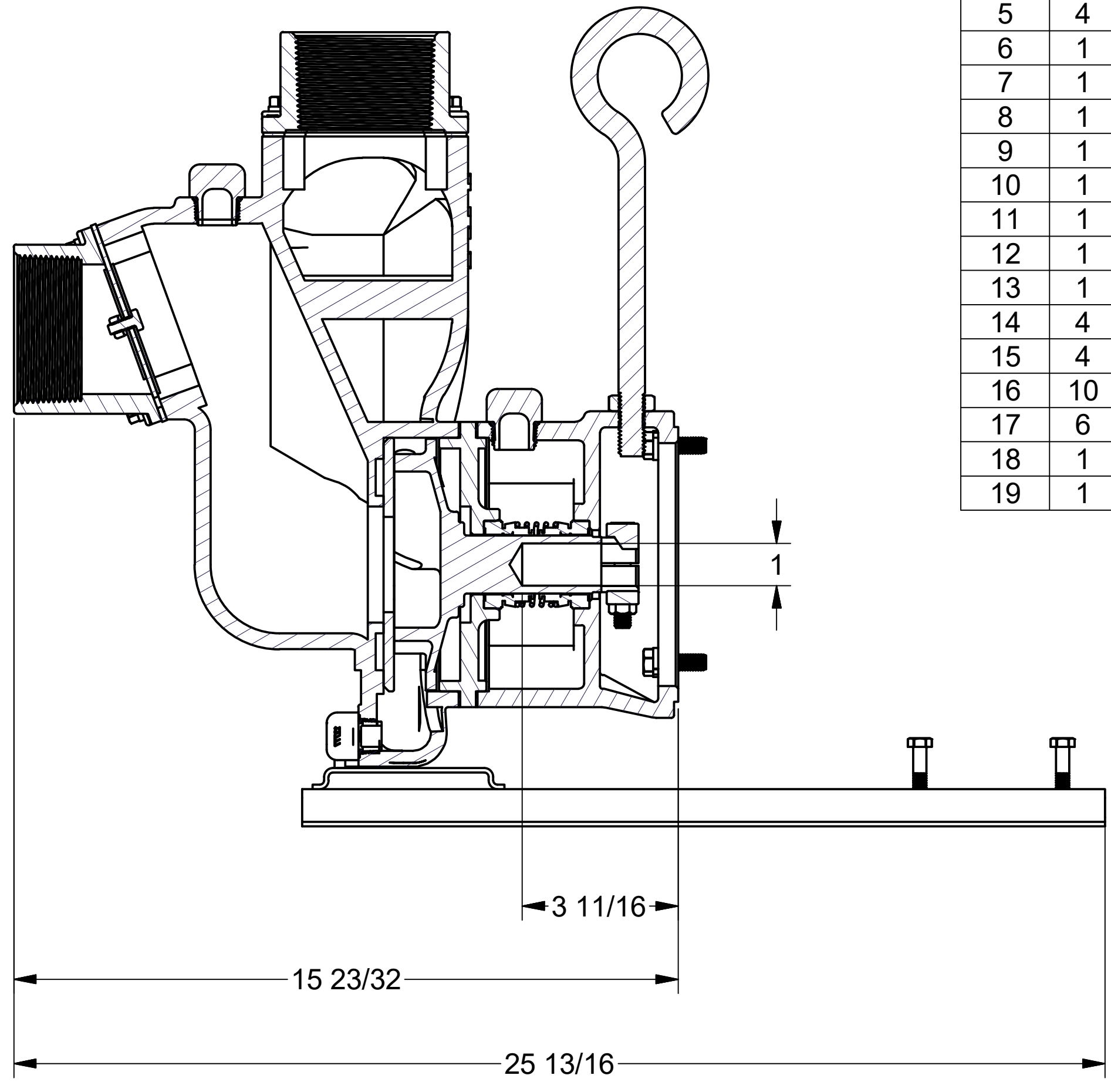
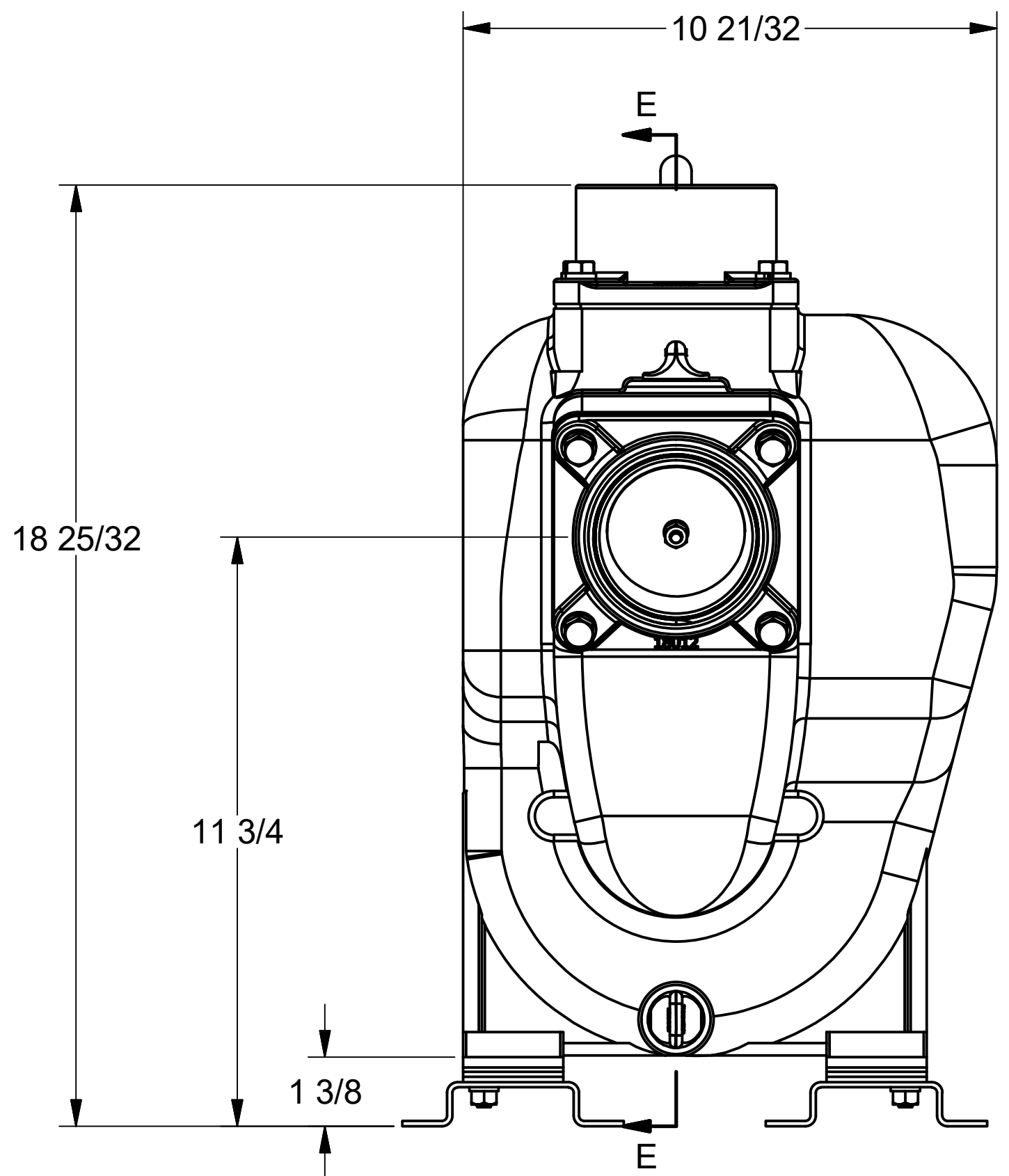
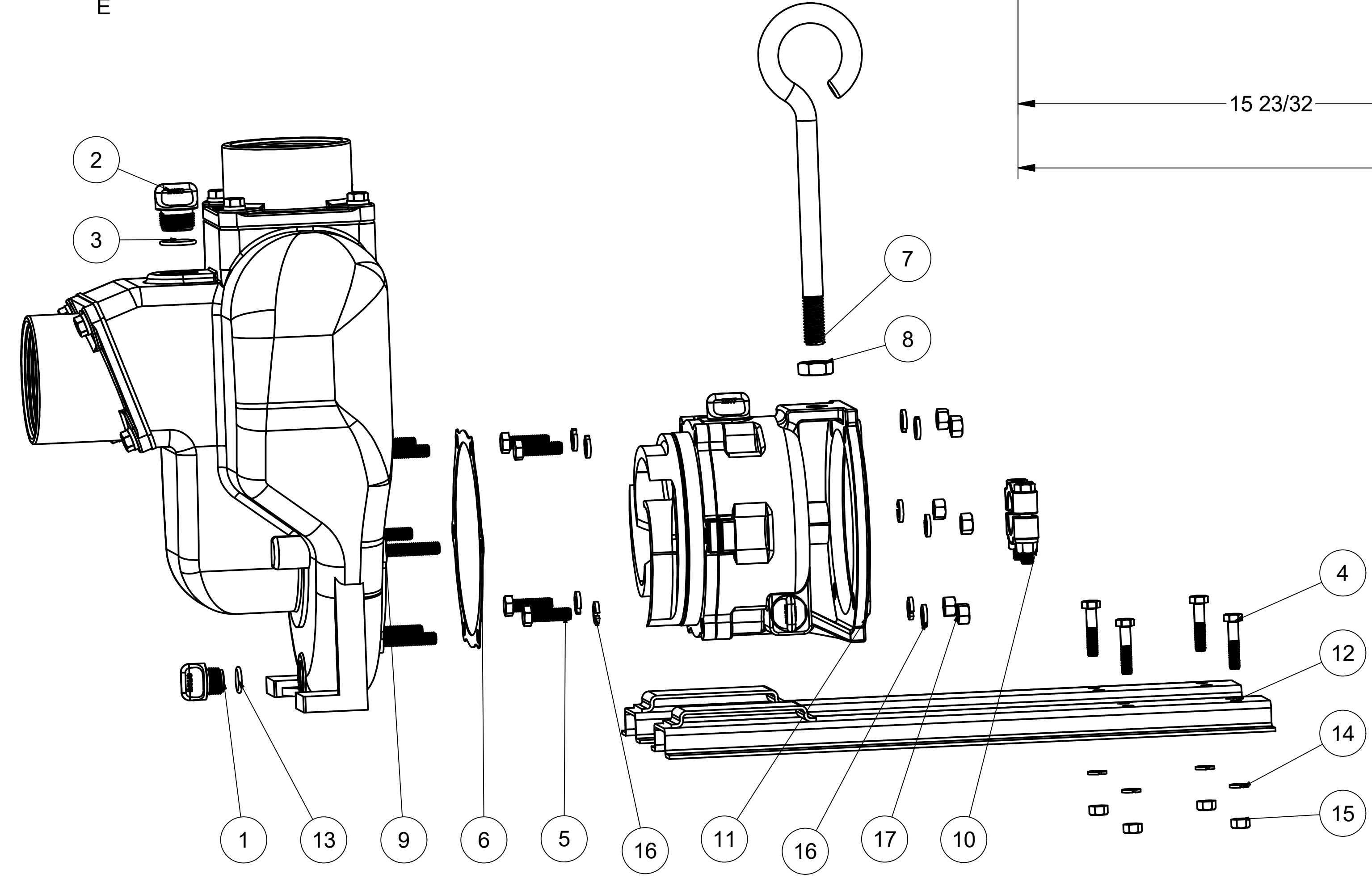


8 7 6 5 4 3 2 1



Parts List			
ITEM	QTY	PART NUMBER	DESCRIPTION
1	1	12777	1/2" DRAIN PLUG
2	1	13777	3/4" DRAIN PLUG
3	1	13778	#119 O-RING, EPDM
4	4	17034	5/16-18 X 1-1/2" HHCS
5	4	17704	3/8-16 X 1 1/4" HHCS
6	1	18021	PUMP ADAPTER GASKET
7	1	18033	PUMP HANDLE
8	1	18034	5/8-11 JAM NUT
9	1	18126	3" CI PUMP SUB-ASSEMBLY
10	1	18129	KEYED CLAMP ASSY.
11	1	18200A	3" CI PUMP RESERVOIR, NEW
12	1	18235	Z-RAIL (PAIR)
13	1	UV15163	#114 O-RING, EPDM
14	4	V10118	5/16" LOCKWASHER
15	4	V10119	5/16" HEX NUT
16	10	V20018	3/8" LOCKWASHER
17	6	V20019	3/8" HEX NUT
18	1	12910	DECAL (N/S)
19	1	KK-57	WET SEAL WARNING TAG (N/S)



THIS DRAWING AND ALL INFORMATION CONTAINED THEREON ARE THE EXCLUSIVE PROPERTY OF BANJO CORPORATION.
UNLESS SPECIFICALLY NOTED, THIS DRAWING AND ITEMS SHOWN ON THIS DRAWING ARE SUBJECT TO CHANGE AT ANY TIME.

BANJO CORPORATION
150 BANJO DRIVE, CRAWFORDSVILLE, IN 47933
WEB SITE: WWW.BANJOCORP.COM
E-MAIL: SALES1@BANJOCORP.COM

DESCRIPTION
3" CI WET SEAL PUMP ONLY

PART NUMBER
301POIW

8 7 6 5 4 3 2 1