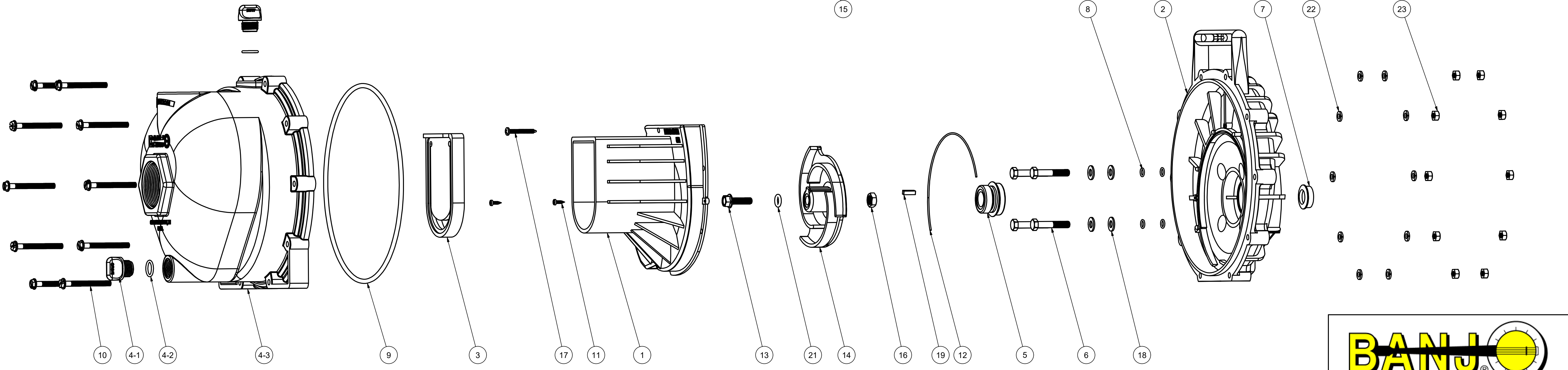


PARTS LIST			
ITEM	QTY	PART NUMBER	DESCRIPTION
1	1	12702A	2" POLY PUMP VOLUTE
2	1	12703A	POLY PUMP REAR BRACKET
3	1	12705BN	PUMP CHECKVALVE, BUNA
4	1	12712ABN	NEW 2" BUNA POLY PUMP BODY
4-1	2	12777	1/2" DRAIN PLUG
4-2	2	UV15163BN	AS568A -114 O-RING, BUNA, BLACK
4-3	1	X12712A	2" POLY PUMP BODY
5	1	12713BN	MECHANICAL SEAL ASSEMBLY, BUNA, IND. BOXED
6	4	12715A	5/16-24 X 1 3/4" HHCS WITH TORQ-PATCH
7	1	12716	PUMP SLINGER
8	4	12717BN	AS568A -011 O-RING, BUNA, BLACK
9	1	12719ABN	AS568A -375 O-RING, BUNA, BLACK
10	10	12720	1/4-20 X 2 1/2" SL IND HEX WASHER HEAD SCREW
11	2	12725	#6 X 1/2" PPH SMS
12	1	12754BN	O'RING SEGMENT
13	1	12765A	5/16-24 X 1 1/8" HFS
14	1	12771A	POLY 3 VANE IMPELLER
15	1	12772	POLY 5 VANE IMPELLER
16	1	12775A	7/16-14 HEX NUT
17	1	12900	#10 X 1 1/2" PPH SMS
18	4	12901	5/16" FLAT WASHER
19	1	12902A	3/16" SQ. X 5/8" KEY
20	1	12910	DECAL (N/S)
21	1	A204BN	AS568A -204 O-RING, BUNA, BLACK
22	10	V07018	1/4" LOCKWASHER
23	10	V07019	1/4"-20 S.S. HEX NUT
24	1	VL1006	BUNA DECAL (NS)



THIS DRAWING AND ALL INFORMATION CONTAINED THEREON ARE THE EXCLUSIVE PROPERTY OF BANJO CORPORATION.

UNLESS SPECIFICALLY NOTED, THIS DRAWING AND ITEMS SHOWN ON THIS DRAWING ARE SUBJECT TO CHANGE AT ANY TIME.

BANJO CORPORATION
 150 BANJO DRIVE, CRAWFORDSVILLE, IN 47933
 WEB SITE: WWW.BANJO.CORP.COM
 E-MAIL: BANJOSALES@DEXCORP.COM

DESCRIPTION
 2" PUMP ONLY, BUNA

PART NUMBER
 200PO-BN