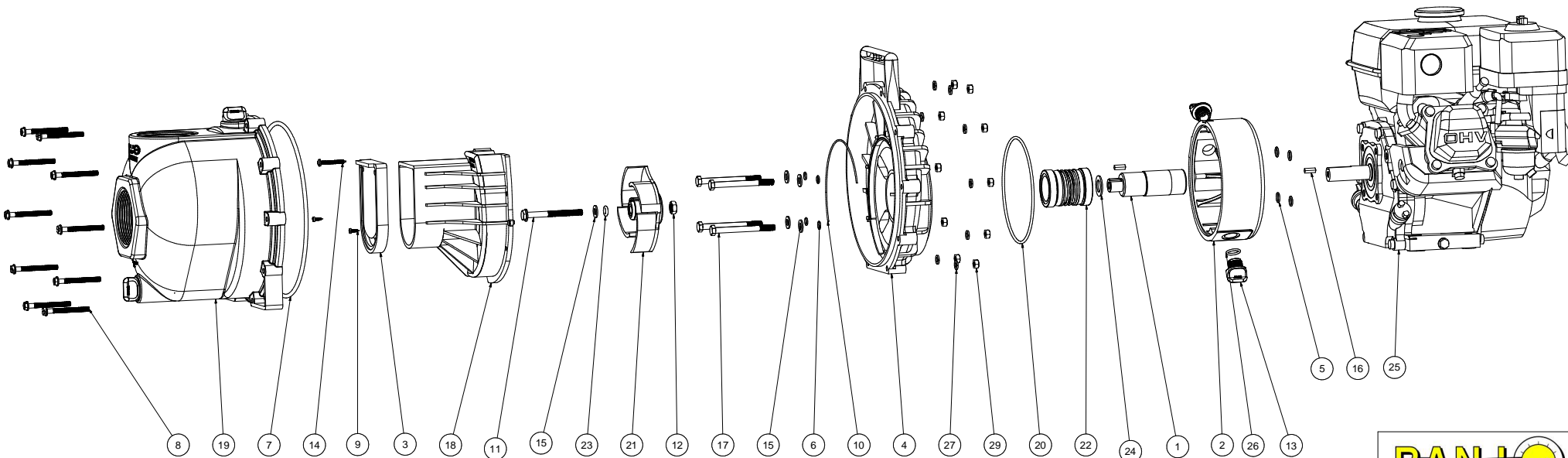


		Parts List	
ITEM	QTY	PART NUMBER	DESCRIPTION
1	1	12155	ADAPTER SHAFT
2	1	12202W	2" POLY RESERVOIR
3	1	12705	CHECKVALVE
4	1	12707W	2" W.S. REAR BRACKET
5	4	12709	#13 O-RING
6	4	12717	#11 O-RING
7	1	12719A	#375 O-RING
8	10	12720	1/4-20 X 2 1/2" SL IND HWHS
9	2	12725	#6 X 1/2" PPH SMS
10	1	12754	O-RING SEGMENT
11	1	12766	5/16-24 X 3 1/4" HFS
12	1	12775A	7/16-14 HEX NUT
13	2	12777	1/2" DRAIN PLUG
14	1	12900	#10 X 1 1/2" PPH SMS
15	5	12901	5/16" FLAT WASHER
16	2	12902A	3/16" SQ. X 5/8" KEY
17	4	13034	5/16-24 X 3 1/2" HHCS
18	1	13702	3" POLY PUMP VOLUTE
19	1	13712	3" POLY PUMP BODY ASSY.
20	1	13719	#256 O-RING
21	1	13771	3" POLY PUMP TRIMMED IMPELLER
22	1	15035E	MECH. SEAL ASSY., EPDM
23	1	A203V	#203 O-RING
24	1	CV10175	GASKET
25	1	E6H	6.5 HP HONDA
26	2	UV15163	2-114 O-RING
27	10	V07018	1/4" LOCKWASHER
28	1	12910	PUMP DECAL (N/S)
29	10	V07019	1/4-20 HEX NUT



THIS DRAWING AND ALL INFORMATION CONTAINED THEREON ARE THE EXCLUSIVE PROPERTY OF BANJO CORPORATION.

UNLESS SPECIFICALLY NOTED, THIS DRAWING AND ITEMS SHOWN ON THIS DRAWING ARE SUBJECT TO CHANGE AT ANY TIME.

BANJO CORPORATION
 150 BANJO DRIVE, CRAWFORDSVILLE, IN 47933
 WEB SITE: WWW.BANJOCCORP.COM
 E-MAIL: SALES1@BANJOCCORP.COM

DESCRIPTION:
3" POLY WET SEAL PUMP W/ 6HP HONDA

PART NUMBER
300PH6W



This document was created with the Win2PDF "print to PDF" printer available at <http://www.win2pdf.com>

This version of Win2PDF 10 is for evaluation and non-commercial use only.

This page will not be added after purchasing Win2PDF.

<http://www.win2pdf.com/purchase/>