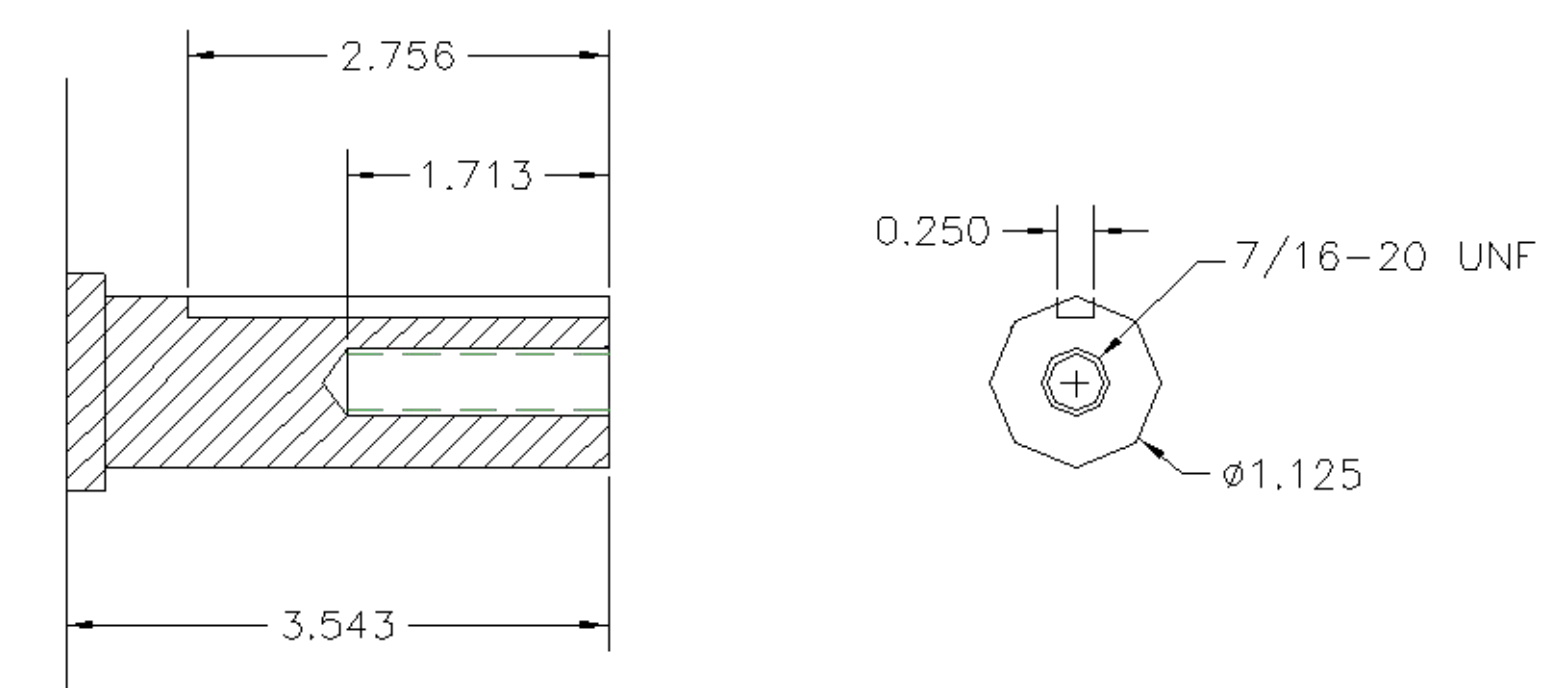
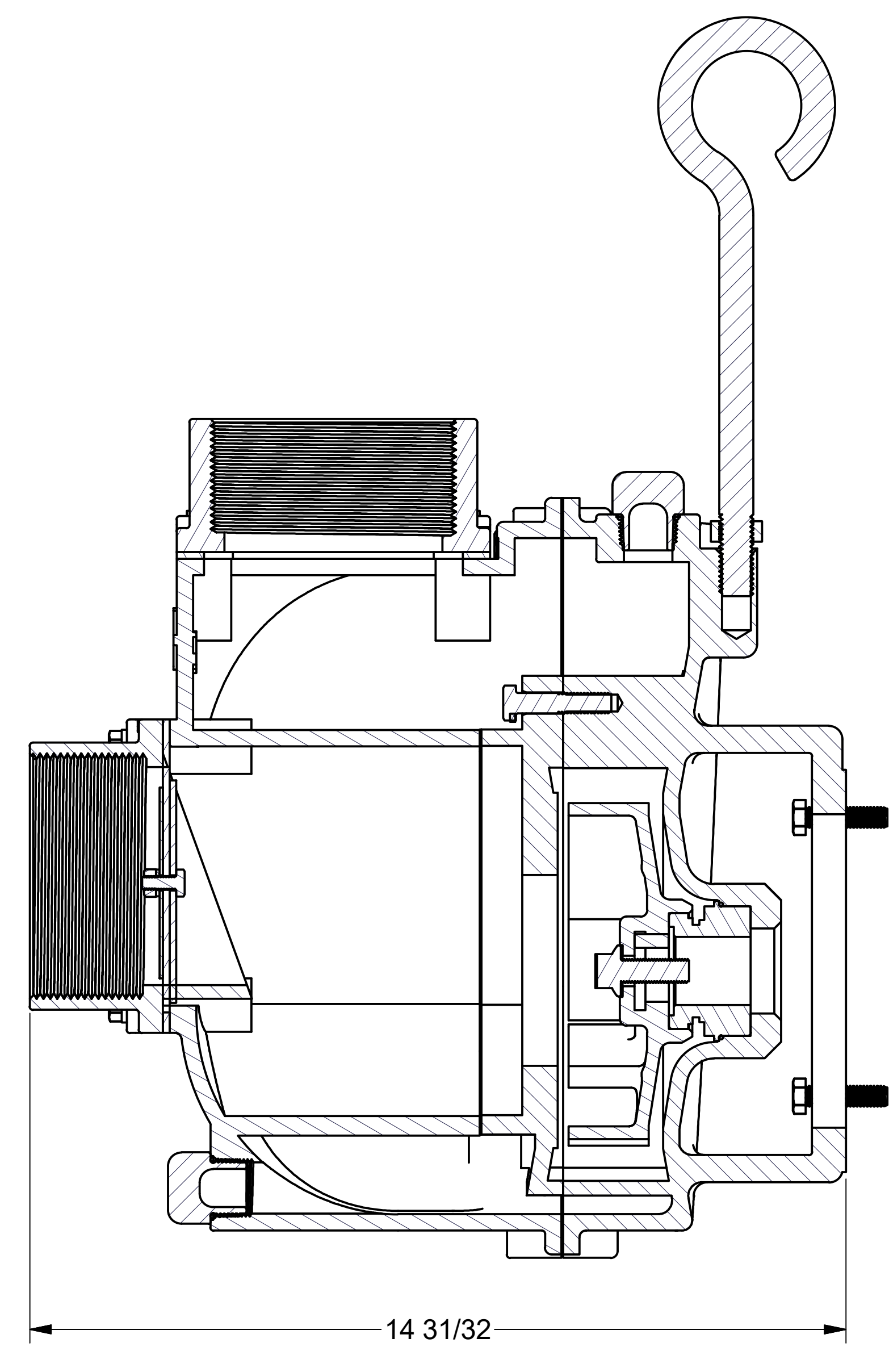
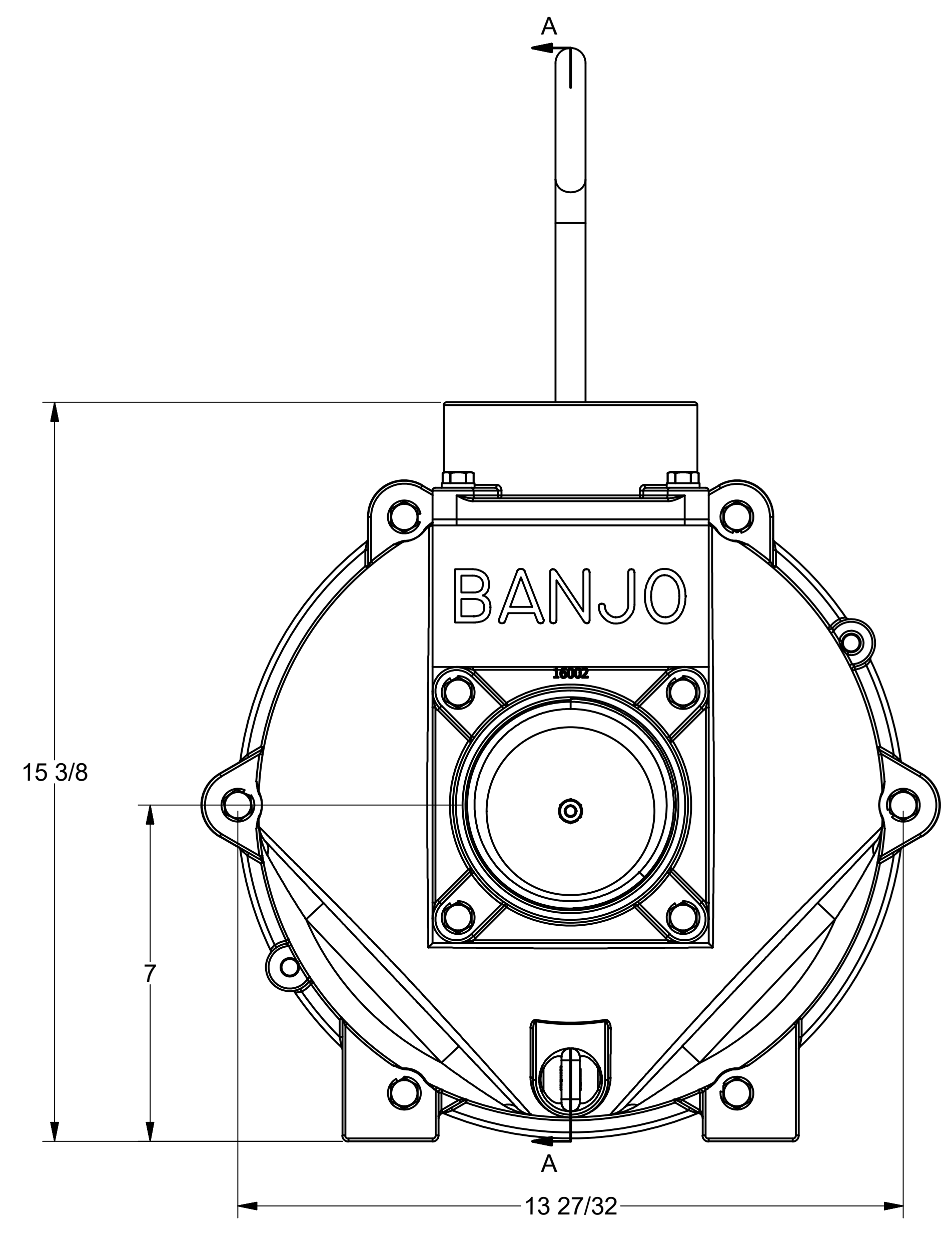
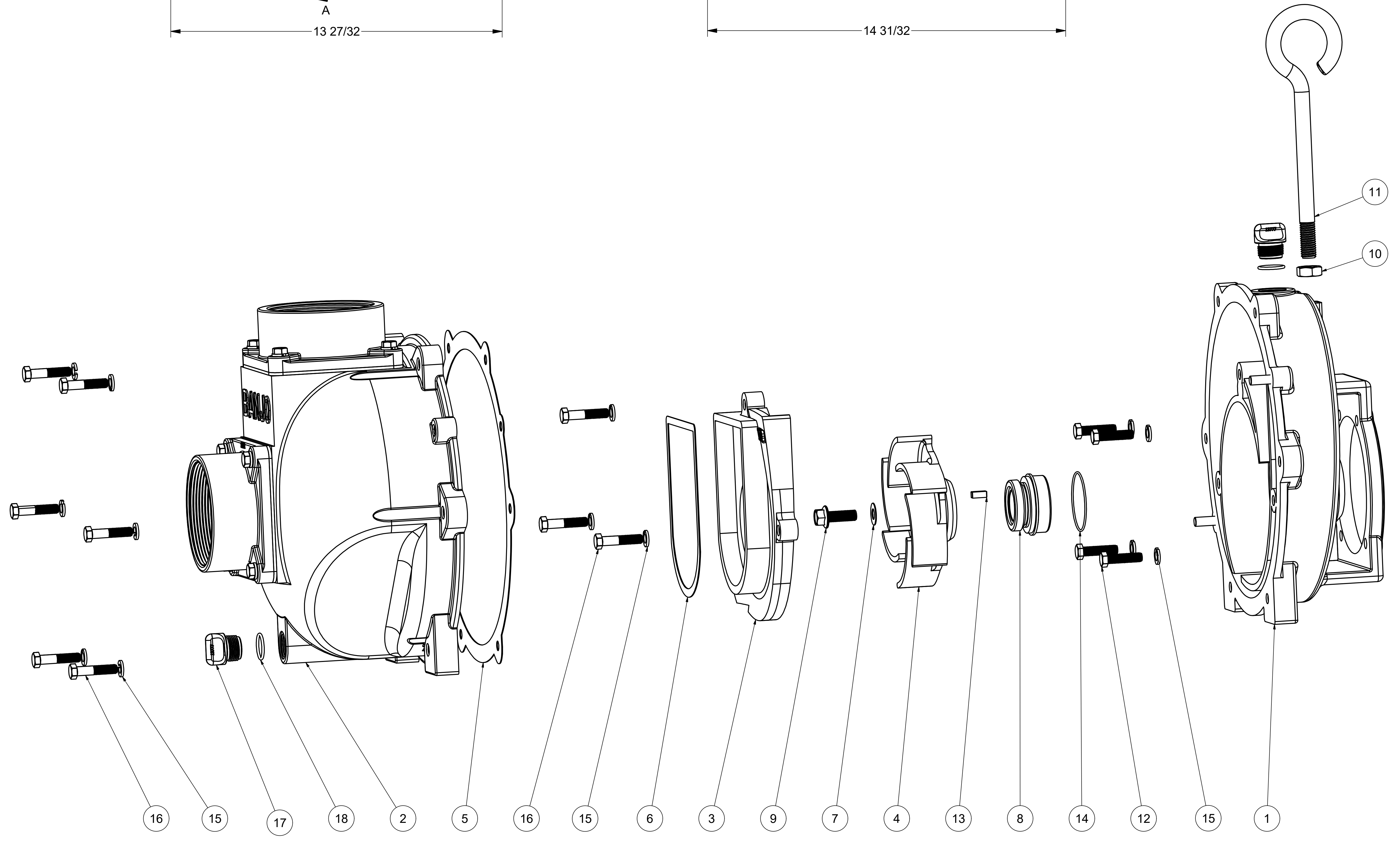


Parts List			
ITEM	QTY	PART NUMBER	DESCRIPTION
1	1	16707	4" PUMP REAR BRACKET ASSY
2	1	16712	4" PUMP BODY ASSY
3	1	16702	4" PUMP VOLUTE
4	1	16775	6 VANE IMPELLER FOR 4" PUMP
5	1	16019A	GASKET
6	1	16019B	GASKET
7	1	16019C	GASKET
8	1	18435	4" PUMP MECH. SEAL ASSY
9	1	16765	7/16-20 1 1/4" HFS
10	1	18034	5/8-11 JAM NUT
11	1	18033	PUMP HANDLE
12	4	18027	3/8-16 X 1 1/2" HHCS
13	1	16901	1/4" SQ. X 3/4" KEY
14	1	V10264	MECH. SEAL O'RING
15	13	V20018	3/8" LOCKWASHER
16	9	V20011SS	3/8-16 X 1 3/4" HHCS
17	1	12910	PUMP DECAL (N/S)
18	1	16751	SHIM SET (N/S)
17	2	13777	3/4" DRAIN PLUG
18	2	13778	#119 O'RING, EPDM



SHAFT SPECIFICATIONS



**BANJO CORPORATION**  
 150 BANJO DRIVE, CRAWFORDSVILLE, IN 47933  
 WEB SITE: WWW.BANJOCORP.COM  
 E-MAIL: SALES1@BANJOCORP.COM

THIS DRAWING AND ALL INFORMATION CONTAINED THEREON ARE THE EXCLUSIVE PROPERTY OF BANJO CORPORATION.

UNLESS SPECIFICALLY NOTED, THIS DRAWING AND ITEMS SHOWN ON THIS DRAWING ARE SUBJECT TO CHANGE AT ANY TIME.

DESCRIPTION  
**4" CI PUMP ONLY**

PART NUMBER  
**444POI**