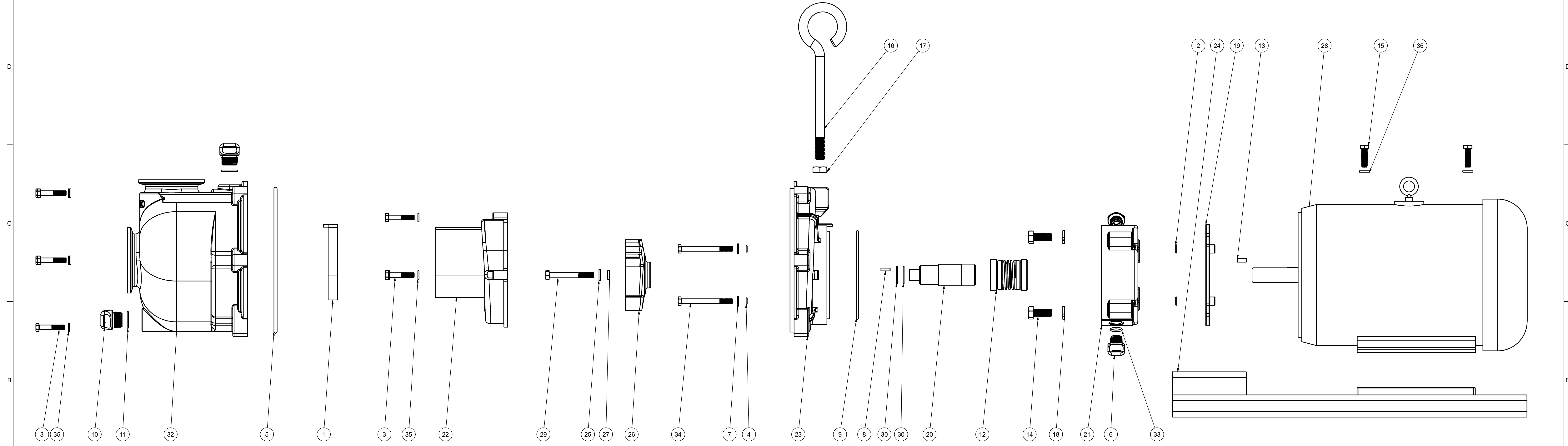


SECTION B-B
SCALE 1 : 2

| PARTS LIST | | | |
|------------|-----|-------------|---------------------------------------|
| ITEM | QTY | PART NUMBER | DESCRIPTION |
| 1 | 1 | 12705 | PUMP CHECKVALVE, EPDM |
| 2 | 4 | 12709 | AS568A -013 O-RING, EPDM, BLACK |
| 3 | 9 | 12715A | 5/16-24 X 1 3/4" HHCS WITH TORQ-PATCH |
| 4 | 4 | 12717 | AS568A -011 O-RING, EPDM |
| 5 | 1 | 12719A | AS568A -375 O-RING, EPDM, BLACK |
| 6 | 2 | 12777 | 1/2" DRAIN PLUG |
| 7 | 4 | 12901 | 5/16" FLAT WASHER |
| 8 | 1 | 12902A | 3/16" SQ. X 5/8" KEY |
| 9 | 1 | 13719 | AS568A -256 O-RING, EPDM, BLACK |
| 10 | 2 | 13777 | 3/4" DRAIN PLUG |
| 11 | 2 | 13778 | AS568A -119 O-RING, EPDM, BLACK |
| 12 | 1 | 15035E | MECH. SEAL ASSY, EPDM |
| 13 | 1 | 16901 | 1/4" SQ. X 3/4" KEY |
| 14 | 4 | 17449 | 1/2-13 X 1 1/4" HHCS |
| 15 | 4 | 17704 | 3/8-16 X 1 1/4" HHCS |
| 16 | 1 | 18033 | PUMP HANDLE |
| 17 | 1 | 18034 | 5/8-11 JAM NUT |
| 18 | 4 | 18058 | 1/2" LOCKWASHER |
| 19 | 1 | 19001 | RES. BACKING PLATE |
| 20 | 1 | 19055 | ADAPTER SHAFT |
| 21 | 1 | 19201W | 3" WET SEAL RESERVOIR |
| 22 | 1 | 19702 | 3" CI PUMP VOLUTE |
| 23 | 1 | 19703W | REAR BRACKET |
| 24 | 1 | 19741 | BASE PLATE |
| 25 | 1 | 19766 | 3/8" FLAT WASHER |
| 26 | 1 | 19772SS | 3" CI PUMP IMPELLER, 316 SS |
| 27 | 1 | A204 | AS568A -204 O-RING, EPDM, BLACK |
| 28 | 1 | BEM10-100 | 10 HP ELEC. MTR. |
| 29 | 1 | BF311 | 3/8-16 X 3" HHCS |
| 30 | 2 | CV10175 | GASKET, EPDM |
| 31 | 1 | KK-57 | WET SEAL WARNING TAG (N/S) |
| 32 | 1 | M19712X | 3" CI MNFLD PUMP BODY |
| 33 | 2 | UV15163 | AS568A -114 O-RING, EPDM, BROWN |
| 34 | 4 | V10117 | 5/16 - 18 X 3 1/2" HHCS |
| 35 | 9 | V10118 | 5/16" LOCKWASHER |
| 36 | 4 | V20018 | 3/8" LOCKWASHER |



THIS DRAWING AND ALL INFORMATION CONTAINED THEREON ARE THE EXCLUSIVE PROPERTY OF BANJO CORPORATION.

UNLESS SPECIFICALLY NOTED, THIS DRAWING AND ITEMS SHOWN ON THIS DRAWING ARE SUBJECT TO CHANGE AT ANY TIME.

BANJO CORPORATION
150 BANJO DRIVE, CRAWFORDSVILLE, IN 47933
WEB SITE: WWW.BANJOCORP.COM
E-MAIL: BANJOSALES@IDEXCORP.COM

DESCRIPTION
3"CI WET SEAL PUMP,NEW MNFLD 3PHASE

PART NUMBER
M332PIE10W