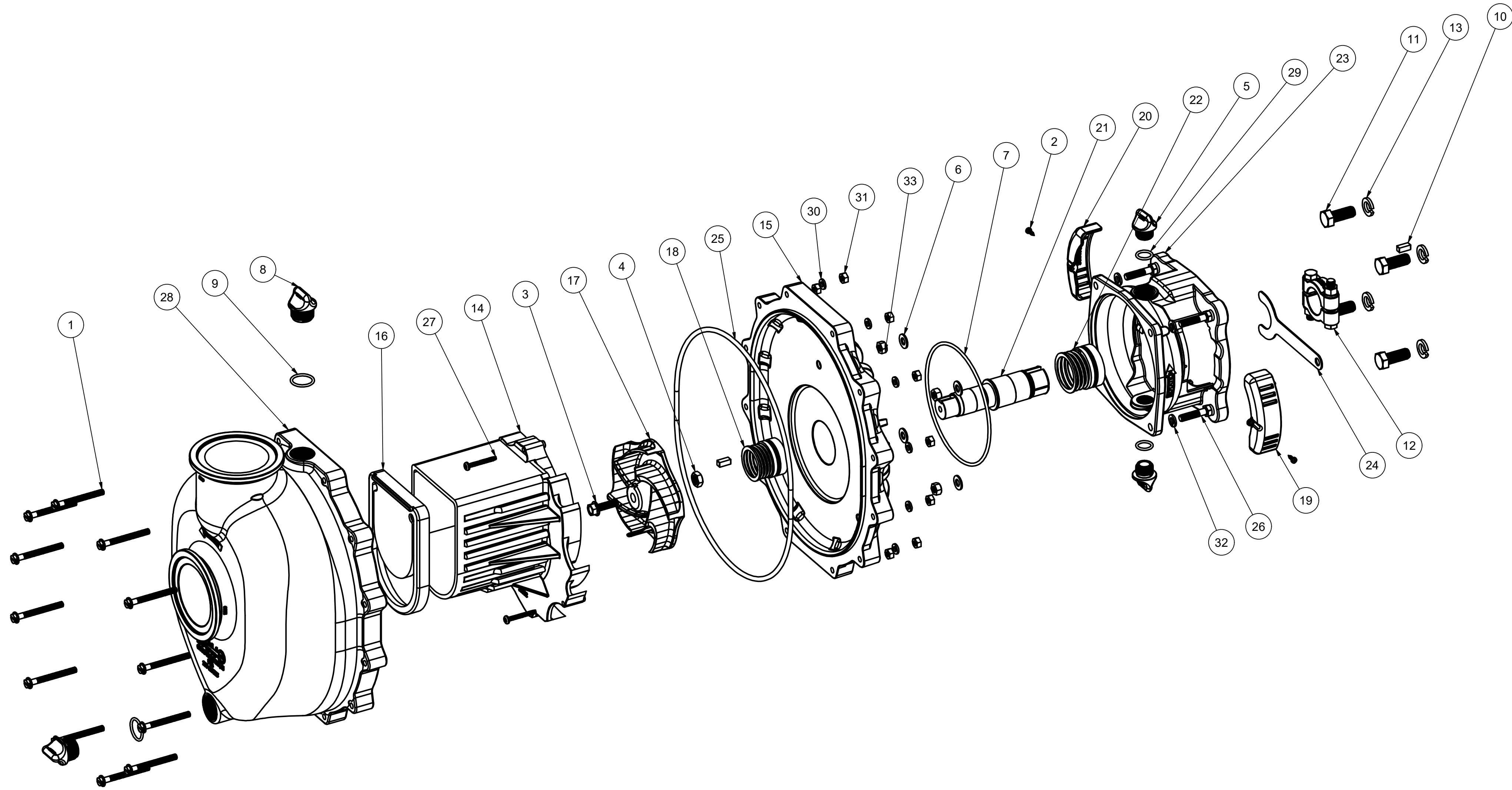
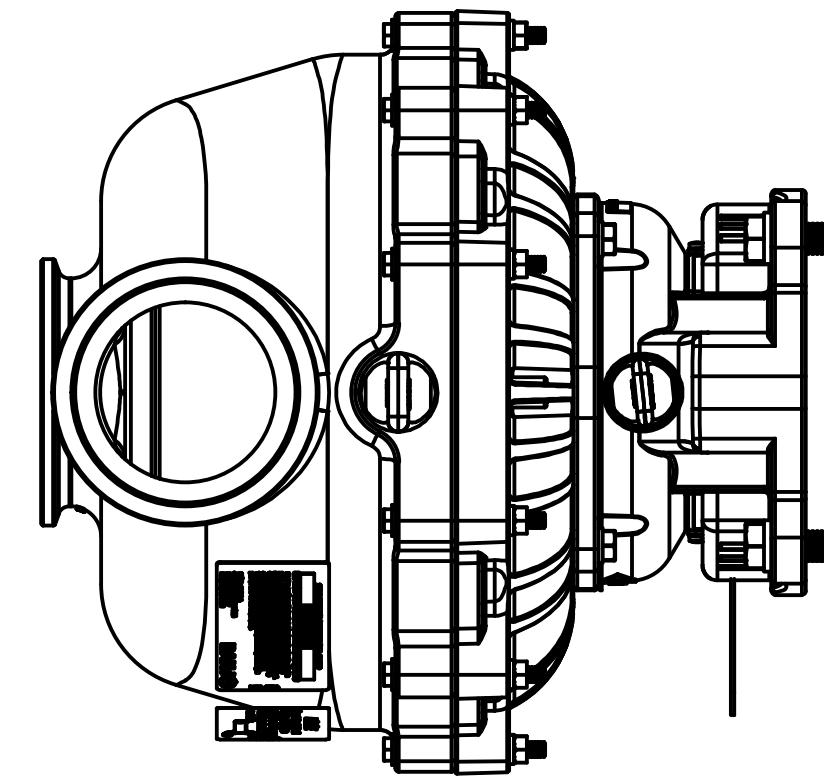
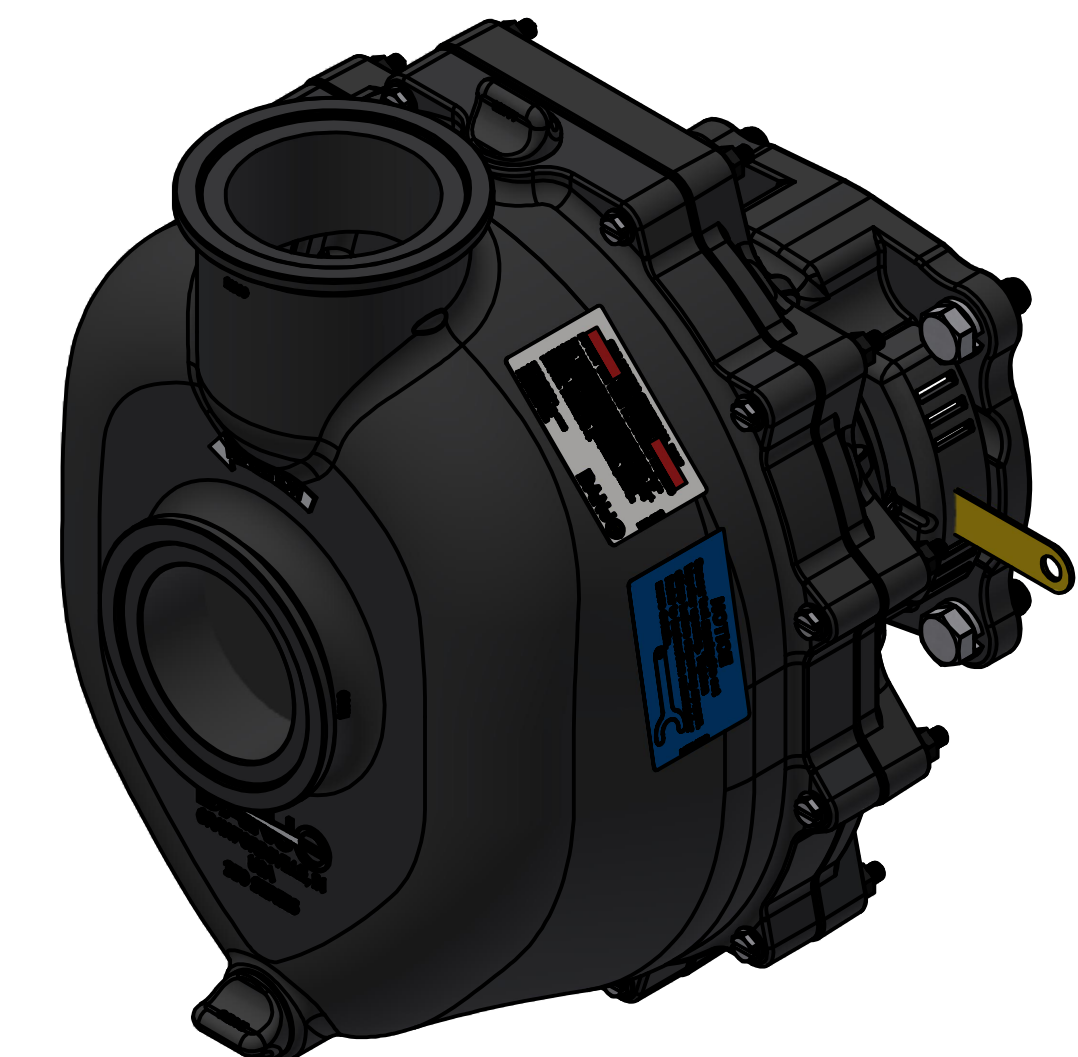


SECTION A-A
SCALE 5 / 16



Parts List				
ITEM	QTY	PART NUMBER	DESCRIPTION	
1	12	12720	1/4-20 X 2 1/2" SL IND HEX WASHER HEAD SCREW	
2	2	12725	#6 X 1/2" PPH SMS	
3	1	12765A	5/16-24 X 1 1/8" HFS	
4	1	12775A	7/16-14 HEX NUT	
5	2	12777	1/2" DRAIN PLUG	
6	4	12901	5/16" FLAT WASHER	
7	1	13719	AS568A -256 O-RING, EPDM, BLACK	
8	2	13777	3/4" DRAIN PLUG, MOLDED	
9	2	13778	AS568A -119 O-RING, EPDM, BLACK	
10	2	16901SS	1/4" SQ. X 5/8" KEY 18-8 SS	
11	4	17449	1/2-13 X 1 1/4" HHCS	
12	1	18029	CLAMP	
13	4	18058	1/2" LOCKWASHER	
14	1	35002	M350 DIFFUSER	
15	1	35004	M350 REAR BRACKET	
16	1	35005	3" WET SEAL POLY PUMP CHECK VALVE	
17	1	35073	M350 5-VANE IMPELLER	
18	1	35113E	1.125" MECHANICAL SEAL, EPDM, BULK	
19	1	35246GL	LEFT SHAFT GUARD FOR M350P	
20	1	35246GR	RIGHT SHAFT GUARD FOR M350P	
21	1	35255A	3" WET SEAL POLY PUMP SHAFT ADAPTER FOR BEM15-100	
22	1	35313E	1.375" MECHANICAL SEAL, EPDM, BULK	
23	1	35401	M350 WET SEAL RESERVOIR, ELEC	
24	1	35901	350 PUMP SEAL SPACING TOOL	
25	1	A380E	AS568 #380 EPDM O-RING	
26	4	B0516138	5/16-18 X 1 3/8" HHCS	
27	3	B1014150TS	#10 X 1 1/2 THREAD FORMING SCREW, 18-8 SS	
28	1	M35012	M350 MANIFOLD BODY	
29	2	UV15163	AS568A -114 O-RING, EPDM, BLACK	
30	12	V07018	1/4" LOCKWASHER	
31	12	V07019	1/4"-20 S.S. HEX NUT	
32	4	V10118	5/16" LOCKWASHER	
33	4	V10119	5/16"-18 SS NUT	



THIS DRAWING AND ALL INFORMATION CONTAINED THEREON ARE THE EXCLUSIVE PROPERTY OF BANJO CORPORATION.

UNLESS SPECIFICALLY NOTED, THIS DRAWING AND ITEMS SHOWN ON THIS DRAWING ARE SUBJECT TO CHANGE AT ANY TIME.

BANJO CORPORATION
A UNIT OF IDEX CORPORATION
150 BANJO DRIVE, CRAWFORDSVILLE, IN 47933
WEB SITE: WWW.BANJOCORP.COM
E-MAIL: BANJOSALES@IDEXCORP.COM

DESCRIPTION:
3" POLY PUMP ONLY, ELECTRIC

PART NUMBER:
M350PEOW