

Economy Glycol Feed System



Where Innovation Flows



Neptune Glycol Feeders are perfect for adding glycol solution to closed-loop chilled or hot water systems. The system automatically maintains pressure in the loop by adding glycol solution to make up for losses that occur due to leakage.

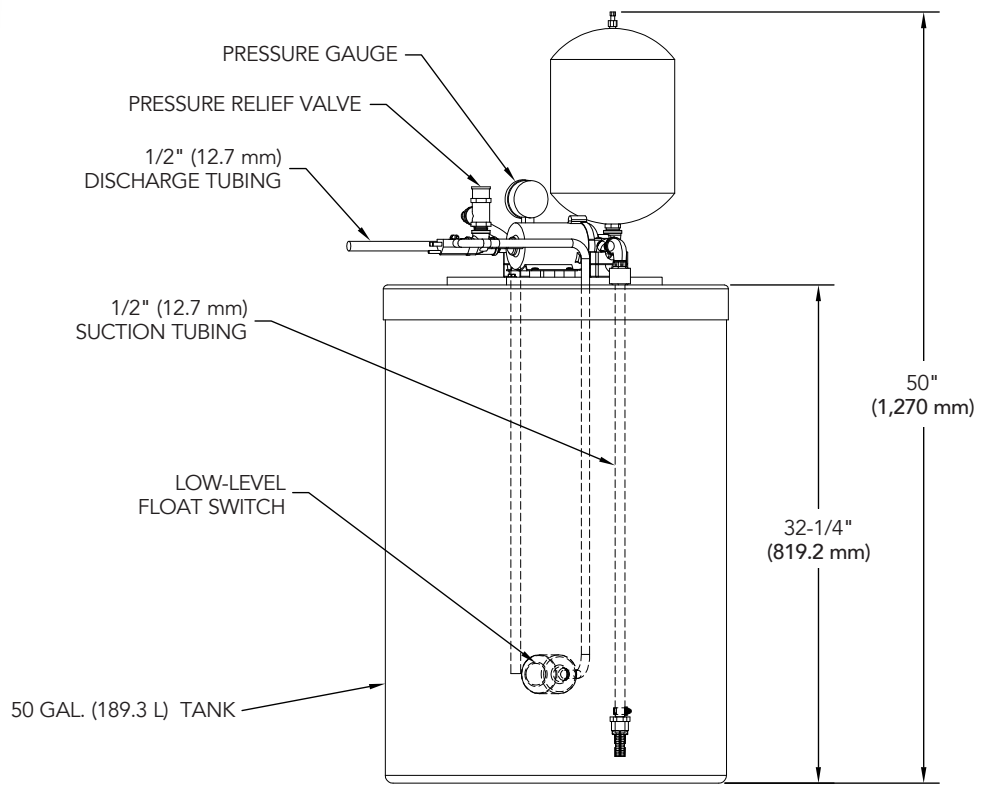
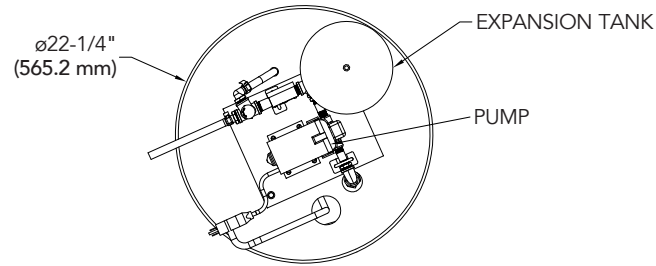
The system utilizes a triplex diaphragm pump with an integral adjustable pressure switch to control the shut-off set point for the addition of glycol over a range of 40 to 60 psi +/- 5 psi (2.8 to 4.1 bar +/- .4 bar). The pump feeds glycol into the system until the pressure set point is achieved and stops the pump. Other pressure switches are available upon request.

FEATURES AND BENEFITS

- Expansion tank
- Float switch for low-level pump shutoff
- 50-gallon (189.3 L) self-supporting translucent polyethylene tank
- Triplex diaphragm pump operating at 1.0 gpm at 40 psi (3.8 L/min at 2.8 bar) with power cord (115 VAC 60 Hz)
- 100 psi (6.9 bar) brass relief valve with PVC return line



Dimensions



Model GE-50-1

GLY-19
NPT-10211-F-02

Where Innovation Flows



Authorized PSG® Partner:

Copyright 2020 PSG®, a Dover company



PSG
22069 Van Buren Street
Grand Terrace, CA 92313-5651 USA
P: +1 (909) 422-1700 • F: +1 (909) 783-3440
psgdoover.com/neptune