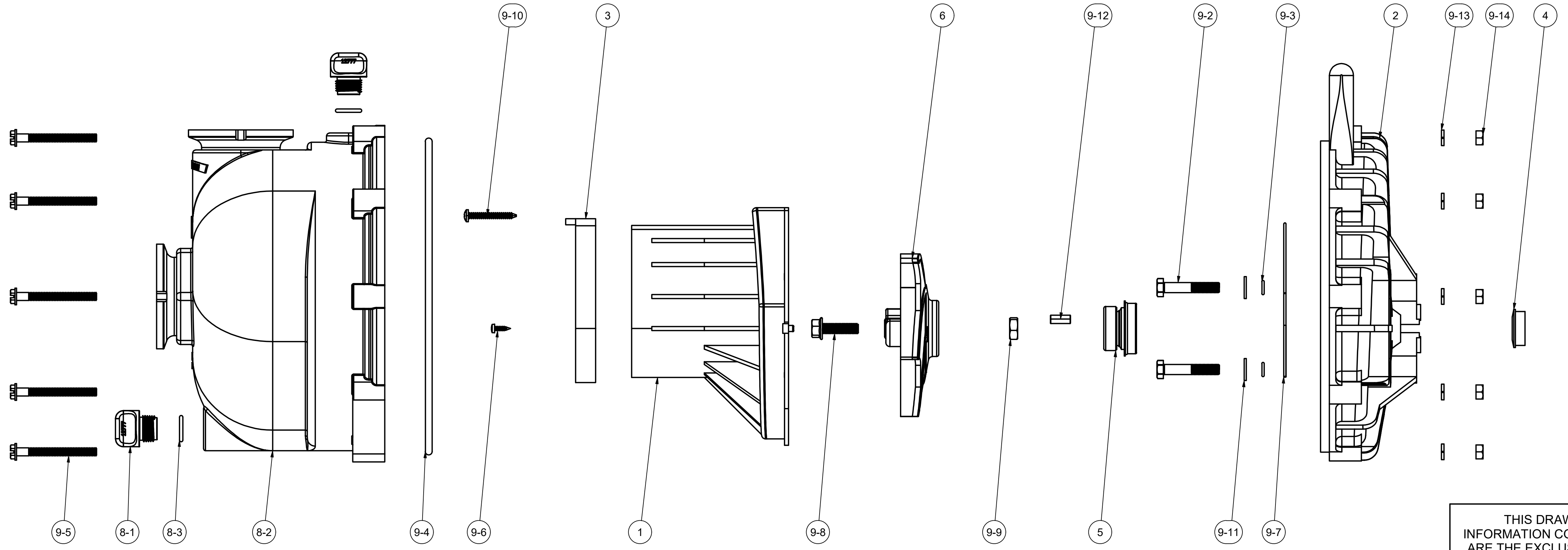


PARTS LIST			
ITEM	QTY	PART NUMBER	DESCRIPTION
1	1	12702A	2" POLY PUMP VOLUTE
2	1	12703A	POLY PUMP REAR BRACKET
3	1	12705	PUMP CHECKVALVE, EPDM
4	1	12716	PUMP SLINGER
5	1	12733	MECHANICAL SEAL ASSY
6	1	12772	IMPELLER
7	1	12910	DECAL (N/S)
8	1	M12712	2" MANIFOLD PUMP BODY ASSEMBLY
8-1	2	12777	1/2" DRAIN PLUG
8-2	1	M12712Y	2" FP MNFLD PUMP BODY ASSY
8-3	2	UV15163	AS568A -114 O-RING, EPDM, BROWN
9	1	PUMPKIT003	PUMPKIT
9-1	1	12710	AS268A -029 O-RING, EPDM
9-2	4	12715A	5/16-24 X 1 3/4" HHCS WITH TORQ-PATCH
9-3	4	12717	AS568A -011 O-RING, EPDM
9-4	1	12719A	AS568A -375 O-RING, EPDM, BLACK
9-5	10	12720	1/4-20 X 2 1/2" SL IND HWHS
9-6	2	12725	#6 X 1/2" PPH SMS
9-7	1	12754	O-RING SEGMENT
9-8	1	12765A	5/16-24 X 1 1/8" HFS
9-9	1	12775A	7/16-14 HEX NUT
9-10	1	12900	#10 X 1 1/2" PPH SMS
9-11	4	12901	5/16" FLAT WASHER
9-12	1	12902A	3/16" SQ. X 5/8" KEY
9-13	10	V07018	1/4" LOCKWASHER
9-14	10	V07019	1/4-20 HEX NUT
9-15	1	A204	AS568A -204 O-RING, EPDM, BLACK



THIS DRAWING AND ALL INFORMATION CONTAINED THEREON ARE THE EXCLUSIVE PROPERTY OF BANJO CORPORATION.

UNLESS SPECIFICALLY NOTED, THIS DRAWING AND ITEMS SHOWN ON THIS DRAWING ARE SUBJECT TO CHANGE AT ANY TIME.

BANJO CORPORATION
 150 BANJO DRIVE, CRAWFORDSVILLE, IN 47933
 WEB SITE: WWW.BANJO.CORP.COM
 E-MAIL: BANJOSALES@DEXCORP.COM

DESCRIPTION
2"FP MNFLD POLY PUMP ONLY 5 VANE IMP

PART NUMBER
M225PO