

Metering pumps Model A

FPZ Dosing Pumps models A are used in the most severe duty applications. Plunger pumps are the best solution when:

**PUMPED LIQUID DOES NOT CONTAIN
SUSPENDED SOLIDS**

LEAKAGE IS ACCEPTABLE

HIGH PRESSURE IS REQUIRED



Applications

Injection of chemicals as oxygen scavenger, amine, trisodium phosphate and much more.

Commonly used in the following applications:

- Fertigation
- Water treatment
- Paper industry
- Chemical industry
- Food industry
- Cooling towers
- Power plants

Features

- Simplex and multi-head version are available.
 - NPT valve connections are standard. BSP or other connections are available upon request.
 - Cataphoresis painting for gearbox.
 - Endless screw worm gear box supported by bearings and fully lubricated in an oil bath.
 - Fitted as standard with high quality 4 pole electric motor that conform to UL;CSA;UNELMEC specifications, and range from 1/3 – 1 HP. Standard 3 phase voltages are 208-230/460V-60Hz.
- Standard 1 phase voltages are 115/208-230V-60Hz. Motors are available to meet a wide range of alternative specifications including: IEEEE841, IEEEE45, Explosion proof; different voltages, frequencies, higher insulation standards and more.
- Stroke adjustment can be made with the pump at rest or in operation and it can be manual or an automatic actuator can be driven by a 4-20 mA; different BUS; pneumatically.
 - Components in wetted areas are available in a wide range of materials suitable for chemical injection applications.

Pump model	Reducer ratio	SPM	Capacity (gph)	Max pressure (PSI _g)		Connection
				1/3 HP		
AP-A125U-8	I	42	0.34	3336		1/2" NPT male
	F	70	0.58			
	C	116	0.98			
	B	139	1.17			
AP-A125U-12	I	42	0.82	2466		1/2" NPT male
	F	70	1.37			
	C	116	2.27			
	B	139	2.73			
AP-A125U-14	I	42	1.11	1813		1/2" NPT male
	F	70	1.85			
	C	116	3.12			
	B	139	3.74			
AP-A125U-16	I	42	1.48	1392		1/2" NPT male
	F	70	2.48			
	C	116	4.12			
	B	139	4.95			

Pump model	Reducer ratio	SPM	Capacity (gph)	Max pressure (PSI _g)		Connection
				1/3 HP	1/2 HP*	
A175U-8	F	84	1.03	1378	3336	1/2" NPT male
	C	116	1.43			
	B	144	1.78			
A175U-12	F	84	2.32	1378	3336	1/2" NPT male
	C	116	3.20			
	B	144	3.99			
A175U-14	F	84	3.57	1378	2480	1/2" NPT male
	C	116	4.86			
	B	144	6.12			
A175U-16	F	84	4.65	1088	1900	1/2" NPT male
	C	116	6.37			
	B	144	7.99			
A175U-18	F	84	5.31	856	1479	1/2" NPT male
	C	116	7.29			
	B	144	9.07			

*for 1/2 HP motor include "AP" before the pump model



Pump model	Reducer ratio	SPM	Capacity (gph)	Max pressure (PSI _g)		Connection
				¾ HP	1 HP*	
A250U-12	F	67	2.69	1378	3336	½" NPT male
	C	116	4.60			
	B	134	5.36			
A250U-14	F	67	3.67	1378	3336	½" NPT male
	C	116	6.29			
	B	134	7.32			
A250U-16	F	67	4.81	1378	2843	½" NPT male
	C	116	8.19			
	B	134	9.51			
A250U-18	F	67	6.08	1378	2248	½" NPT male
	C	116	10.41			
	B	134	12.14			
A250U-20	F	67	7.50	1378	1827	½" NPT male
	C	116	12.87			
	B	134	14.99			
A250U-22	F	67	9.09	1146	1508	½" NPT male
	C	116	15.59			
	B	134	18.20			

*for 1 HP motor include "AP" before the pump model

Wetted parts code for standard materials

Standard construction materials (wetted parts only)						
Material codes	Pump head	Plunger	Plunger gasket	Valve ball	Valve seat	Valve gasket
82	S.S.316L	S.S.316 (K22)	PTFE/FKM	Ceramic	S.S.316L	PTFE or similar



Standard pressure General specifications

Pump model	Reducer ratio	SPM	Capacity (gph)	Max pressure (PSI _g)		Connection
				Metal	Plastic	
A125U-6	F	70	0.26	290	145	1/2" NPT male
	C	116	0.41			
	I	42	0.74			
A125U-11	F	70	1.27	290	145	1/2" NPT male
	C	116	1.90			
	I	42	1.90			
A125U-18	F	70	3.17	290	145	1/2" NPT male
	C	116	5.07			
	I	42	4.17			
A125U-25	F	70	6.97	290	145	1/2" NPT male
	C	116	11.41			
	I	42	5.92			
A125U-30	F	70	9.83	203	145	1/2" NPT male
	C	116	16.17			
	I	42	9.51			
A125U-38	F	70	15.85	131	145	1/2" NPT male
	C	116	25.99			
	I	42	14.79			
A125U-47	F	70	24.73	80	145	1/2" NPT male
	C	116	40.89			
	I	42	14.79			
A125U-47M	F	70	24.73	80	145	3/4" NPT male
	C	116	40.89			
	I	42	14.79			



Standard pressure General specifications

Pump model	Reducer ratio	SPM	Capacity (gph)	Max pressure (PSI _g)				Connection
				Metal		Plastic		
				1/3 HP	1/2 HP*	1/3 HP	1/2 HP*	
A175U-6	F	84	0.41					
	C	116	0.56	290		145		1/2" NPT male
	B	144	0.70					
A175U-11	F	84	1.90					
	C	116	2.54	290		145		1/2" NPT male
	B	144	3.17					
A175U-18	F	84	5.39					
	C	116	7.40	290		145		1/2" NPT male
	B	144	9.51					
A175U-25	F	84	11.73					
	C	116	16.22	290		145		1/2" NPT male
	B	144	20.29					
A175U-30	F	84	16.48					
	C	116	22.72	290		145		1/2" NPT male
	B	144	28.53					
A175U-38	F	84	26.31					
	C	116	36.46	189	290	145		1/2" NPT male
	B	144	45.65					
A175U-47	F	84	41.21					
	C	116	57.06	123	189	123	145	1/2" NPT male
	B	144	71.64					
A175U-47M	F	84	41.21					
	C	116	57.06	123	189	123	145	3/4" NPT male
	B	144	71.64					
A175U-54	F	84	53.26					
	C	116	73.44	94	145	94	145	3/4" NPT male
	B	144	91.93					
A175U-64	F	84	74.81					
	C	116	103.29	65	102	65	102	3/4" NPT male
	B	144	129.34					

*for 1/2 HP motor include "AP" before the pump model



Pump model	Reducer ratio	SPM	Capacity (gph)	Max pressure (PSIg)				Connection
				Metal		Plastic		
				3/4 HP	1 HP*	3/4 HP	1 HP*	
A250U-25	F	67	13.63					
	C	116	23.25		290		N.A.	1/2" NPT male
	B	134	27.26					
A250U-38	F	67	30.43					
	C	116	52.17		290		N.A.	1/2" NPT male
	B	134	60.87					
A250U-47	F	67	47.55					
	C	116	81.36	247	290	145		3/4" NPT male
	B	134	95.10					
A250U-54	F	67	60.87					
	C	116	104.35	189	247	145		3/4" NPT male
	B	134	121.73					
A250U-64	F	67	84.32					
	C	116	144.55	138	174	138	145	1" NPT male
	B	134	168.65					
A250U-76	F	67	121.41					
	C	116	208.11	94	125	94	125	1" NPT male
	B	134	242.83					
A250U-89	F	67	165.16					
	C	116	283.19	70	91	70	91	1" NPT male
	B	134	330.32					
A350U-89	F	67	230.89					
	C	116	395.73	N.A.	58	N.A.	58	1 1/2" NPT male
	B	134	462.20					

*for 1 HP motor include "AP" before the pump model

Wetted parts code for standard materials

Standard construction materials (wetted parts only)

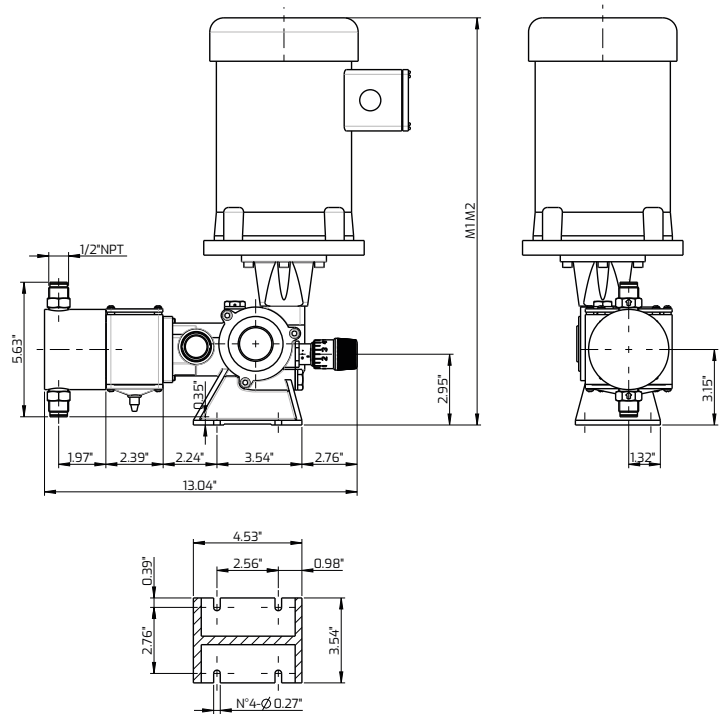
Material codes	Pump head	Plunger	Plunger gasket	Valve ball	Valve seat	Valve gasket
11	S.S.316L	S.S.316L	NBR	S.S.316L	S.S.316L	FPM
13	PVC	Ceramic	FPM	Pyrex	PVC	FPM
17	S.S.316L	Ceramic	FPM	S.S.316L	S.S.316L	FPM
19	S.S.316L	S.S.316L	FPM	S.S.316L	S.S.316L	FPM
20	PVC	S.S.316L	NBR	Pyrex	PVC	FPM
21	S.S.316L	S.S.316L	PTFE	S.S.316L	S.S.316L	FPM



Dimensions

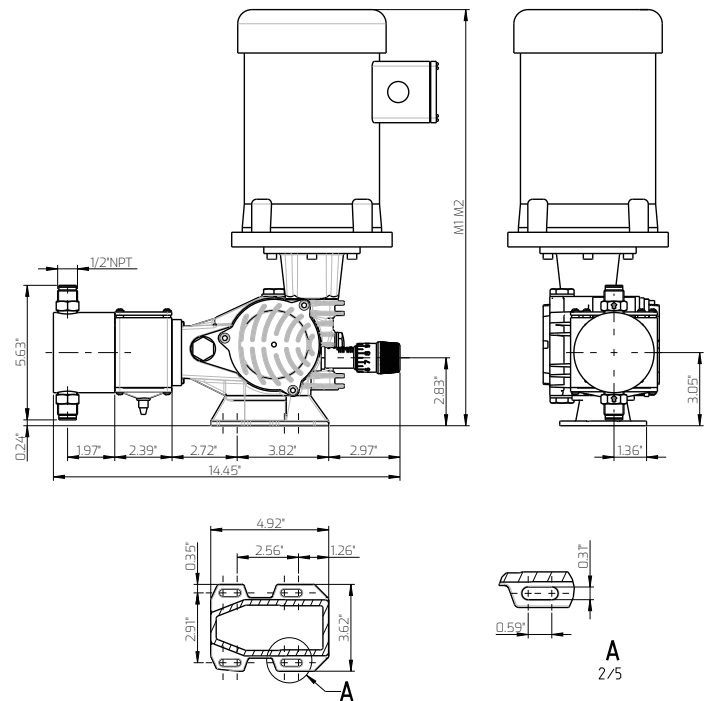
AP-A125U High pressure

Pump model	Electric motor	
	1/3 HP	
AP-A125U-06	M2	lb
AP-A125U-08		32.1
AP-A125U-12	17.3"	
AP-A125U-14		32.3
AP-A125U-16		



A175U High pressure

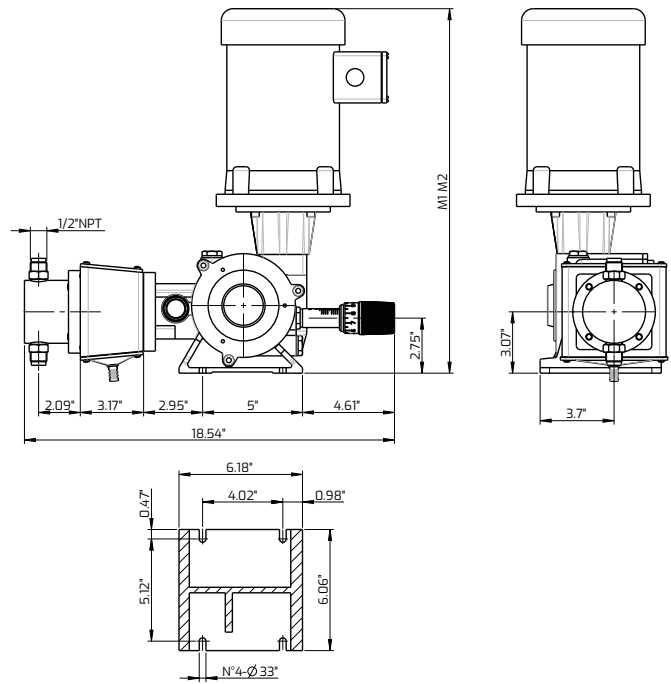
Pump model	Electric motor			
	1/3 HP		1/2 HP	
	M1	lb	M2	lb
A175U-06				
A175U-08		34.6		35.7
A175U-12	17.36"		17.36"	
A175U-14				
A175U-16		34.8		35.9
A175U-18				



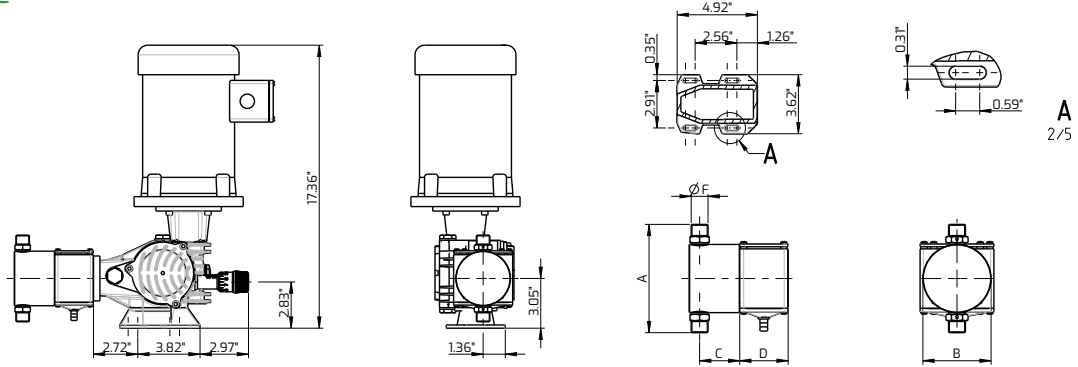
Dimensions

A250U High pressure

Pump model	Electric motor			
	3/4 HP		1 HP	
	M1	lb	M2	lb
A250U-08	20.2"	65.4	20.2"	68.7
A250U-12				
A250U-14				
A250U-16				
A250U-18		65.6	20.2"	68.9
A250U-20				
A250U-22				
A250U-25				



A175U Standard pressure

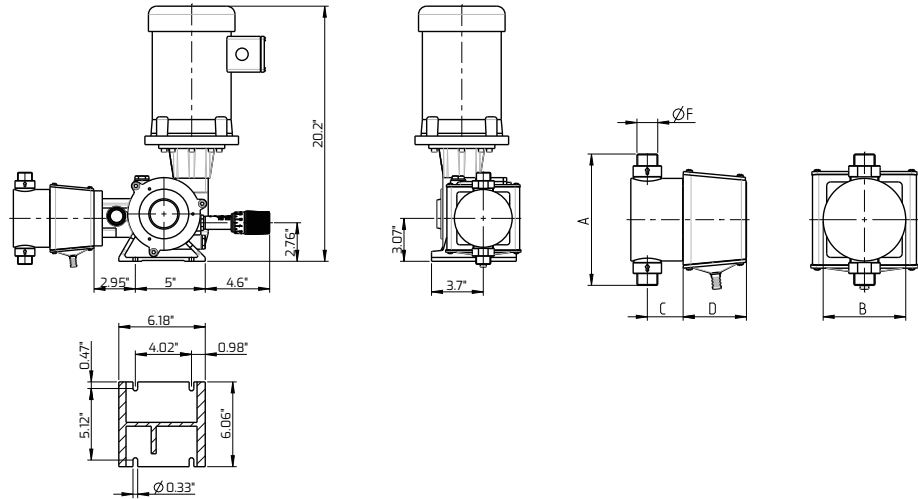


Pump model	Stainless Steel Configuration						Plastic Configuration							
	A	B	C	D	øF	lb	A	B	C	D	øF	lb		
A175U-06	4.96"	2.76"	1.57"	2.36"	1/2" NPT	31.2	5.47"	2.95"	1.57"	2.36"	1/2" NPT	29		
A175U-11			1.38"			30.1			1.65"					
A175U-18			1.57"			33.4			1.61"				27.9	
A175U-25			1.93"			32.3"			1.61"				29	
A175U-30	4.72"	3.35"	1.97"	3.14"	3/4" NPT	31.2	7.87"	3.94"	2.09"	3.14"	3/4" NPT	33.4		
A175U-38	5.31"					31.9			6.73"				2.09"	35.7
A175U-47	6.02"					40.1			7.13"				2.16"	
A175U-47M	6.02"	3.74"	1.97"	3.14"	3/4" NPT	31.9	6.73"	3.94"	2.09"	3.14"	3/4" NPT	33.4		
A175U-54	6.73"	40.1				7.13"			2.16"					
A175U-64	6.73"	4.29"				42.3								



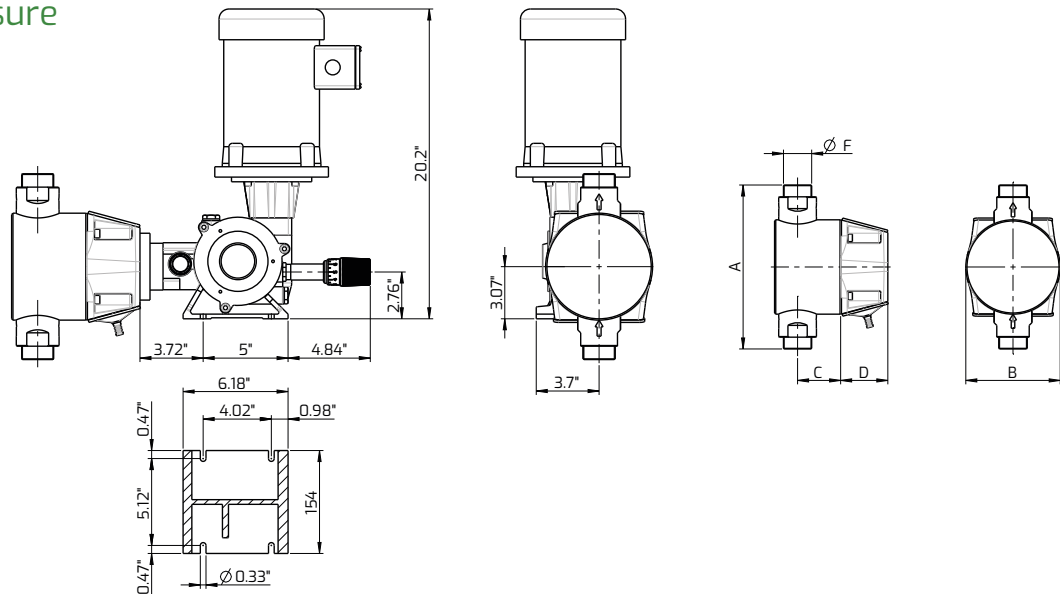
Dimensions

A250U Standard pressure



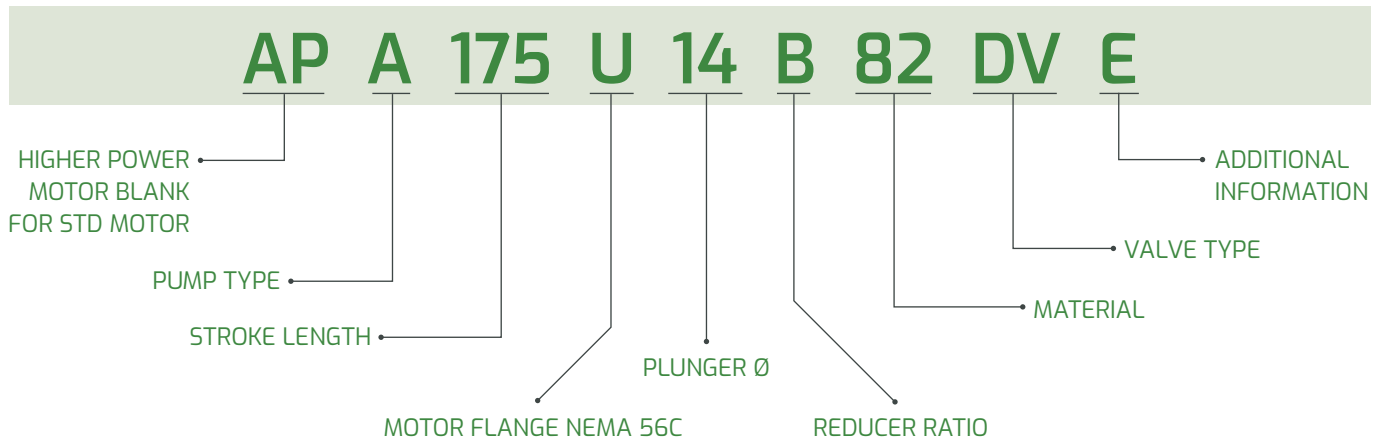
Pump model	Stainless Steel Configuration						Plastic Configuration					
	A	B	C	D	øF	lb	A	B	C	D	øF	lb
A250U-25	6.10"	4.13"	1.10"	3.14"	1/2" NPT	65.2	-	-	-	-	-	-
A250U-38			1.77"		3/4" NPT	67.4	-	-	-	-	-	-
A250U-47	6.49"	4.29"	2.36"	3.14"	3/4" NPT	68.5	7.13"	4.72"	1.77"	3.14"	3/4" NPT	61.9
A250U-54	6.73"					4.72"	2.56"	70.7	7.52"			5.11"
A250U-64	8.82"	5.12"	2.56"	3.14"	1" NPT	76.2	9.33"	5.51"	2.76"	3.14"	1" NPT	66.3
A250U-76	9.29"					79.5						67.4
A250U-89	9.84"	5.51"	2.56"	3.14"	1" NPT	86.1	9.84"	5.98"	2.87"	3.14"	1" NPT	72.9

A350U Standard pressure

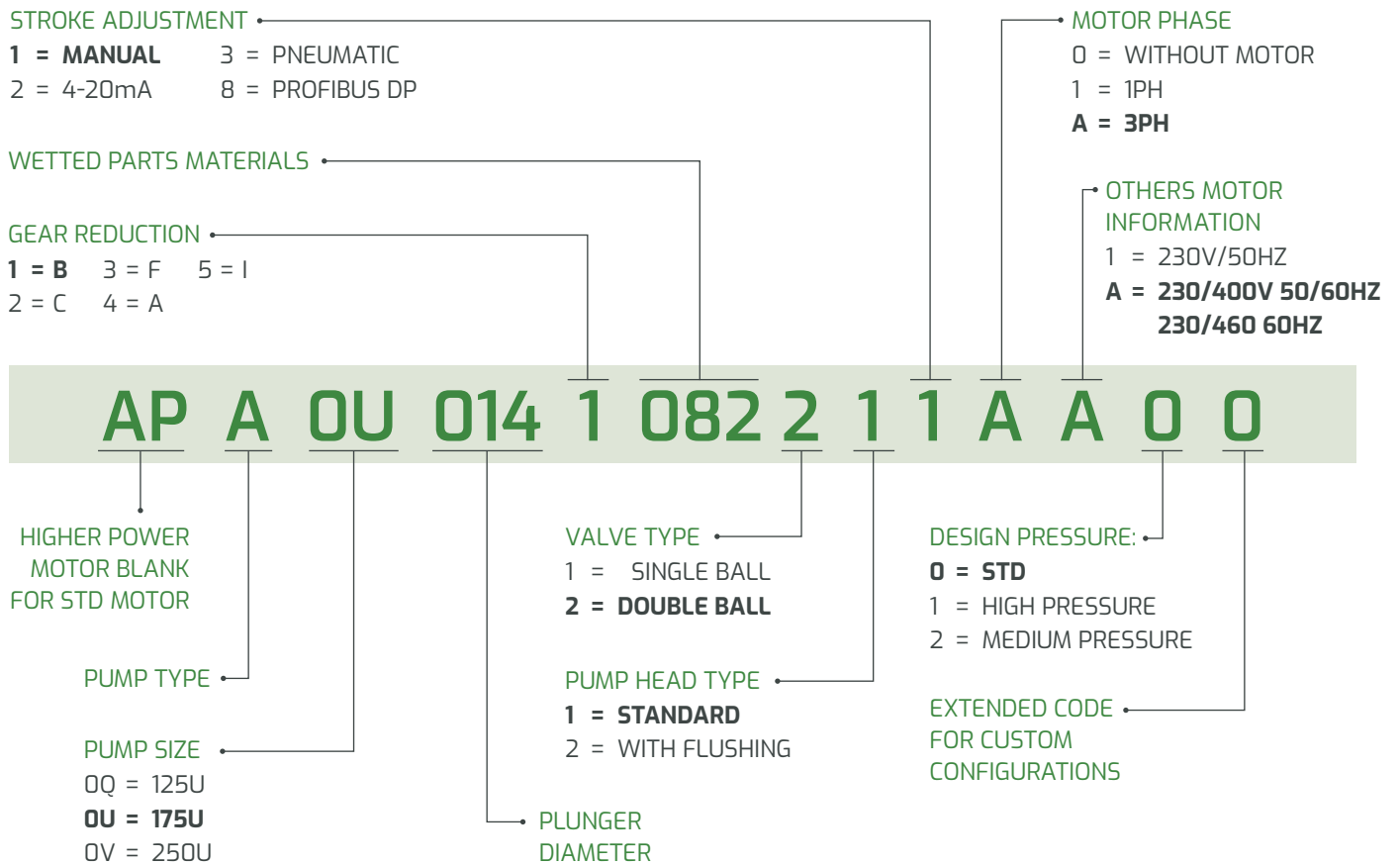


Pump model	Stainless Steel Configuration						Plastic Configuration					
	A	B	C	D	øF	lb	A	B	C	D	øF	lb
A350U-89	10.94"	6.3"	2.87"	3.15"	1 1/2" NPT	101.6	11.42"	6.69"	2.87"	3.15"	1 1/2" NPT	80.6





How to read the pump code



Data is for reference only and subject to change without notice