

Metering pumps Model B Hydraulic diaphragm

FPZ models B are used in the most severe duty applications. Hydraulic Diaphragm pumps are the best solution when:

PUMPED LIQUID CONTAINS SMALL AMOUNTS OF SUSPENDED SOLID

DOSED MEDIUM IS TOXIC, CORROSIVE, HAZARDOUS

LEAKAGE IS NOT ACCEPTABLE



Applications

Injection of chemicals as trisodium phosphate; oxygen scavenger, amine and much more.

Commonly used in the following applications::

- Fertilization
- Water treatment
- Paper industry
- Chemical industry
- Food industry
- Cooling towers
- Power plants

Features

- Simplex and multi-head versions are available.
- NPT valve connections are standard. BSP or other connections are available upon request.
- Cathaphoresis painting for gearbox.
- Endless screw worm gear box supported by bearings and fully lubricated in an oil bath.
- Fitted as standard with high quality 4 pole electric motor that conform to UL;CSA;UNEL-MEC specifications, and range from 1/3 – 1 HP. Standard 3 phase voltages are 208-230/460V -60Hz. Standard 1 phase voltages are 115/208-230V-60Hz.

- Motors are available to meet a wide range of alternative specifications including: IEEE841, IEEE45, Explosion proof; different voltages, frequencies, higher insulation standards and more.
- Stroke adjustment can be made with the pump at rest or in operation and it can be manual or an automatic actuator can be driven by a 4-20 mA; different BUS; pneumatically.
- Components in wetted areas are available in a wide range of materials suitable for chemical injection applications.
- PTFE coated diaphragm.

Pump model	Type	Reducer ratio (SPM)		Capacity (g/H)		Max pressure (PSI _g)	Connection	Diaphragm Ø (mm)
		60 Hz	60 Hz	60 Hz	60 Hz			
AP-B125U-8	F	70	0.48	870	1/2" NPT male	50		
	C	116	0.76					
AP-B125U-12	I	42	0.85	870	1/2" NPT male	50		
	F	70	1.43					
	C	116	2.35					
AP-B125U-18	I	42	2.09	870*	1/2" NPT male	50		
	F	70	3.49					
	C	116	5.71					
AP-B125U-25	I	42	3.99	493	1/2" NPT male	70		
	F	70	6.66					
	C	116	10.78					
AP-B125U-30	I	42	5.71	334	1/2" NPT male	70		
	F	70	9.51					
	C	116	15.32					

*Capacity Value could decrease approximately of a 30% at indicated pressure

Pump model	Type	Reducer ratio (SPM)		Capacity (g/H)		Max pressure (PSI _g)		Connection	Diaphragm Ø (mm)
		60 Hz	60 Hz	60 Hz	60 Hz	1/3 HP	1/2 HP**		
B175U-8	F	84	0.82	870*	N.A.	1/2" NPT male	50		
	C	116	1.11						
B175U-12	F	84	2.41	870*	N.A.	1/2" NPT male	50		
	C	116	3.28						
B175U-18	F	84	5.71	870*	N.A.	1/2" NPT male	70		
	C	116	7.61						
B175U-25	F	84	11.41	544	776	1/2" NPT male	70		
	C	116	15.53						
B175U-30	F	84	16.17	N.A.	537	1/2" NPT male	70		
	C	116	21.87						
B175U-40	F	84	29.16	N.A.	290	1/2" NPT male	90		
	C	116	39.94						
B175U-50	F	84	45.64	N.A.	188	3/4" NPT male	120		
	C	116	62.45						

*Capacity Value could decrease approximately of a 30% at indicated pressure

**For all the version with 1/2 HP motor inser AP in before the complete motor



Pump model	Type	Reducer ratio (SPM)		Capacity (g/H)		Max pressure (PSI _g)		Connection	Diaphragm Ø (mm)
		60 Hz	60 Hz	60 Hz	60 Hz	¾ HP	1 HP**		
B250U-40	F	67	33.29	345	450	1/2" NPT male	120		
	C	116	57.06						
B250U-50	F	67	52.31	218	290	1/2" NPT male	120		
	C	116	89.29						
B250U-55	F	67	63.4	N.A.	232	1/2" NPT male	120		
	C	116	108.31						
B250U-65	F	67	88.13	N.A.	144	1" NPT male	160		
	C	116	150.98						

**For all the version with 1/2 HP motor inser AP in before the complete motor

Wetted parts code for standard materials

Standard construction materials (wetted parts only)					
Material codes	Pump head	Diaphragm	Valve ball	Valve seat	Valve gasket
01	S.S.316L	PTFE	S.S.316L	S.S.316L	FPM



Standard pressure General specifications

Pump model	Reducer ratio	SPM	Capacity (gph)	Max pressure (PSI _g)		Connection	Nominal diaphragm Ø (inch)
				Metal 1/3 HP	Plastic 1/3 HP		
B125U-8	F	70	0.48	290	145	1/2" NPT male	2"
	C	116	0.76				
B125U-12	I	42	0.85	290	145	1/2" NPT male	2"
	F	70	1.43				
B125U-18	C	116	2.35	290	145	1/2" NPT male	2"
	I	42	2.09				
B125U-25	F	70	3.49	290	145	1/2" NPT male	2" 3/4
	C	116	5.71				
B125U-30	I	42	3.99	290	145	1/2" NPT male	2" 3/4
	F	70	6.66				
B125U-40	C	116	10.78	191	145	1/2" NPT male	3 1/2"
	I	42	5.71				
B125U-30	F	70	9.51	290	145	1/2" NPT male	2" 3/4
	C	116	15.53				
B125U-40	I	42	10.30	191	145	1/2" NPT male	3 1/2"
	F	70	17.17				
B125U-40	C	116	28.21	191	145	1/2" NPT male	3 1/2"
	I	42	10.30				

Pump model	Reducer ratio	SPM	Capacity (gph)	Max pressure (PSI _g)				Connection	Nominal diaphragm Ø (inch)
				Metal		Plastic			
				1/3 HP	1/2 HP	1/3 HP	1/2 HP		
B175U-8	F	84	0.82	290		145		1/2" NPT male	2"
	C	116	1.11						
B175U-12	F	84	2.41	290		145		1/2" NPT male	2"
	C	116	3.28						
B175U-18	F	84	5.71	290		145		1/2" NPT male	2 3/4"
	C	116	7.61						
B175U-25	F	84	11.41	290		145		1/2" NPT male	2 3/4"
	C	116	15.53						
B175U-30	F	84	16.17	290		145		1/2" NPT male	2 3/4"
	C	116	21.87						
B175U-40	F	84	29.16	174	290	145		1/2" NPT male	3 1/2"
	C	116	39.94						
B175U-50	F	84	45.65	109	160	109	145	3/4" NPT male	4 3/4"
	C	116	62.45						
B175U-55	F	84	55.16	91	160	91	145	3/4" NPT male	4 3/4"
	C	116	75.45						
B175U-65	F	84	77.03	65	113	65	113	3/4" NPT male	4 3/4"
	C	116	105.56						



Pump model	Reducer ratio	SPM	Capacity (gph)	Max pressure (PSIg)				Connection	Nominal diaphragm Ø (inch)
				Metal		Plastic			
				¾ HP	1 HP	¾ HP	1 HP		
B250U-40	F	67	33.29	160		145		¾" NPT male	4 ¾"
	C	116	57.06						
B250U-50	F	67	52.31	160		145		¾" NPT male	4 ¾"
	C	116	89.29						
B250U-55	F	67	63.40	160		145		¾" NPT male	4 ¾"
	C	116	108.31						
B250U-65	F	67	88.13	131		131		1" NPT male	6 1/3"
	C	116	150.90						
B250U-75	F	67	117.61	96	126	96	126	1" NPT male	6 1/3"
	C	116	201.62						
B250U-90	F	67	169.28	68	90	68	90	1" NPT male	6 1/3"
	C	116	290.06						

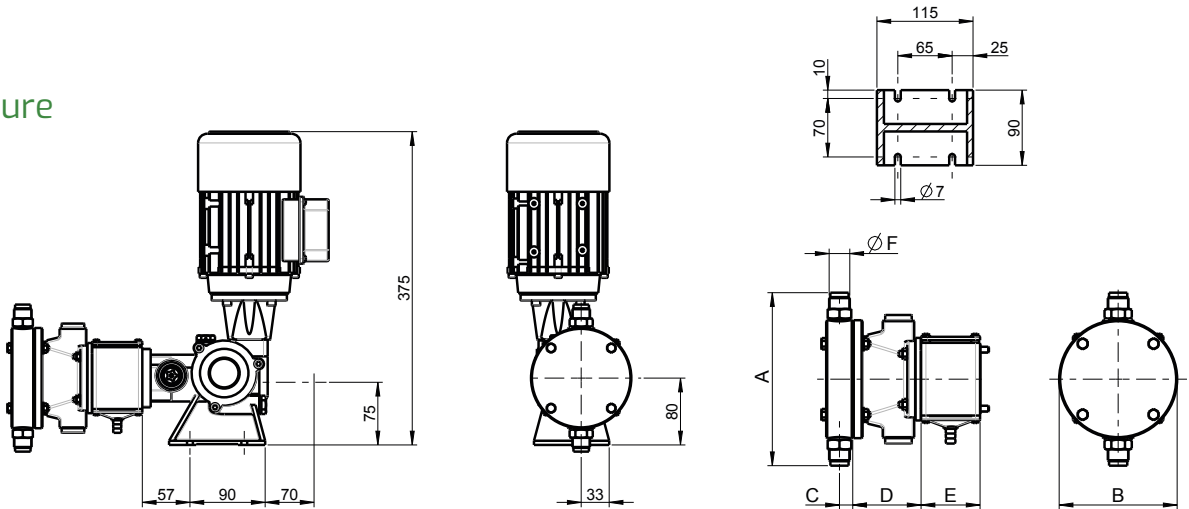
Wetted parts code for standard materials

Standard construction materials (wetted parts only)					
Material codes	Pump head	Diaphragm	Valve ball	Valve seat	Valve gasket
41	S.S.316L	PTFE	S.S.316L	S.S.316L	FPM
43	PVC	PTFE	Pyrex	PVC	FPM
20	PP	PTFE	Pyrex	PP	FPM
38	PVDF	PTFE	Pyrex	PVDF	FPM



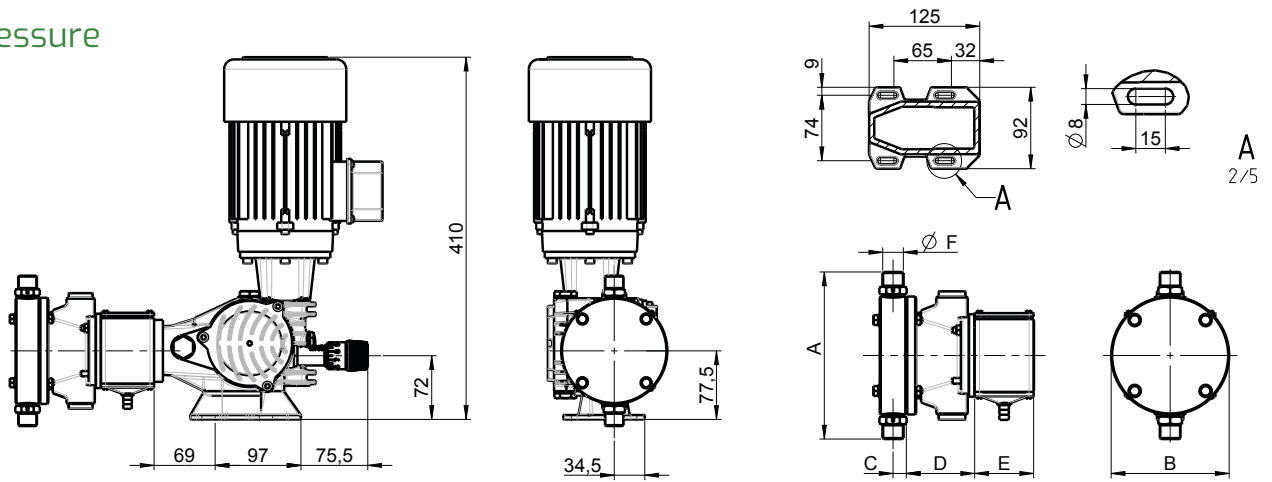
Dimensions

AP-B125U High pressure



Pump model	Execution INOX							Kg
	A	B	C	D	E	øF		
AP-B125U-08	156	100	13.5	69.5	60	1/2" Gm	10	
AP-B125U-12								
AP-B125U-18	176	120	13.5	69.5	60	1/2" Gm	11	
AP-B125U-25								
AP-B125U-30								

B175U High pressure

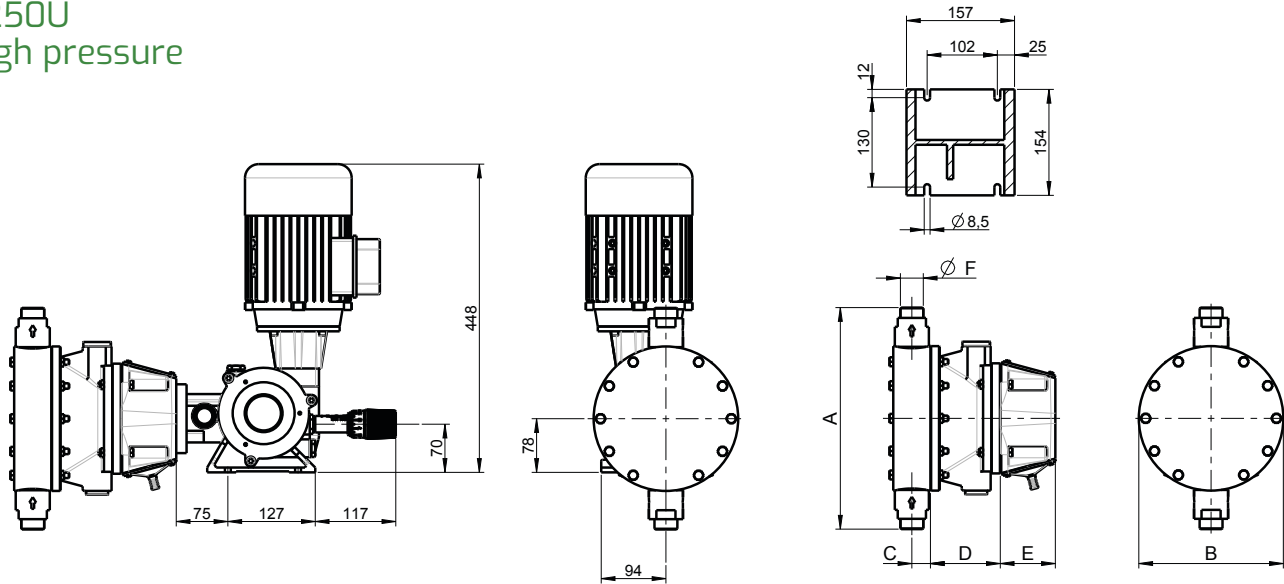


Pump model	Execution INOX							Kg
	A	B	C	D	E	øF		
B175U-08	156	100	13.5	69.5	60	1/2" Gm	11	
B175U-12								
B175U-18	176	120	13.5	69.5	60	1/2" Gm	12.5	
B175U-25								
B175U-30								
B175U-40	180	130	21	74.5		3/4" Gm	13	
B175U-50	232	170					18.5	



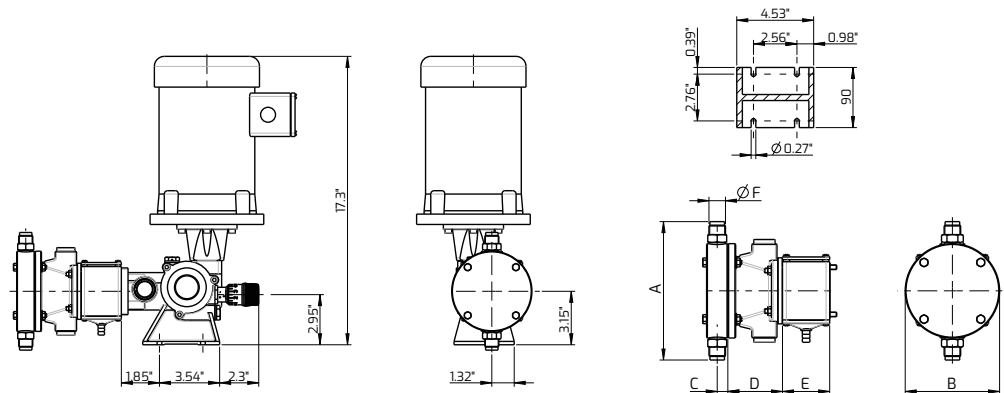
Dimensions

B250U High pressure



Pump model	Execution INOX						
	A	B	C	D	E	øF	Kg
B250U-40				74.5			26
B250U-50	232	170	21		3.15"	¾" Gm	26.5
B250U-55				80.5			27
B250U-65	322	210	27	87.5		1" Gm	35,5

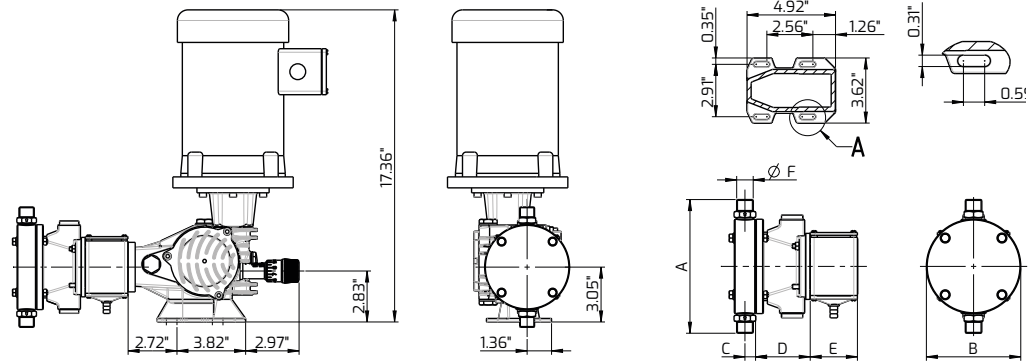
AP-B125U Standard pressure



Pump model	Stainless Steel Configuration							Plastic Configuration						
	A	B	C	D	E	øF	lb	A	B	C	D	E	øF	lb
AP-B125U-08							29	4.33"	4.33"					25.7
AP-B125U-12	6.14"	3.94"	0.53"	2.74"	2.36"	½" NPT	31.2	5.12"	5.12"	0.69"	2.74"	2.36"	½" NPT	26
AP-B125U-18														
AP-B125U-25	6.69"	4.72"												
AP-B125U-30														
AP-B125U-40	7.09"	5.12"					32.3	5.51"	5.51"	0.79"				26.8

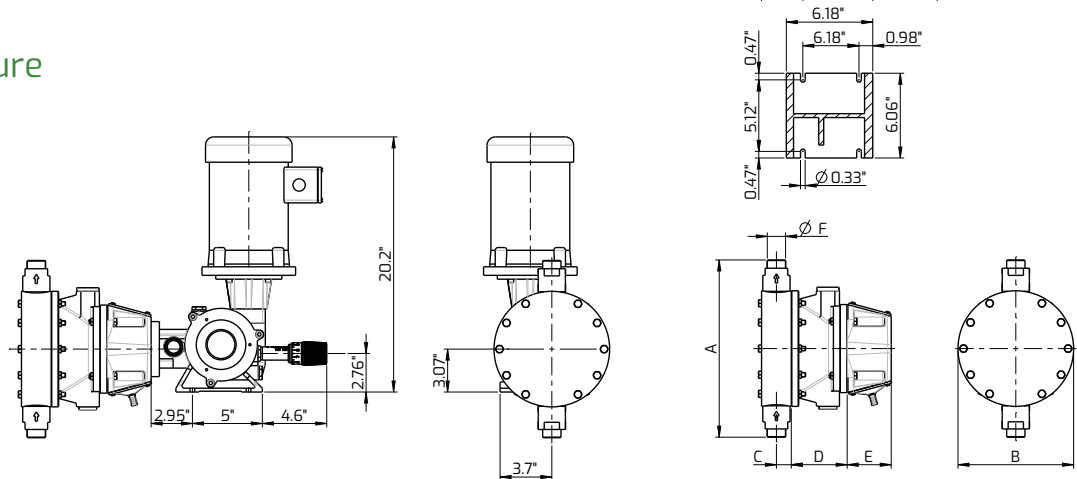


B175U
Standard pressure



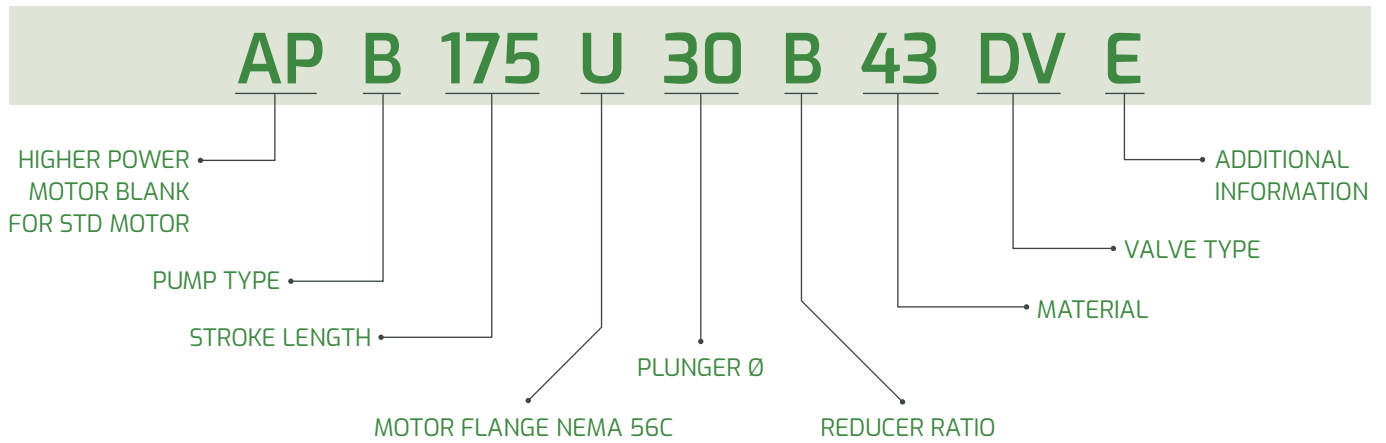
Pump model	Stainless Steel Configuration							Plastic Configuration						
	A	B	C	D	E	$\varnothing F$	lb	A	B	C	D	E	$\varnothing F$	lb
B175U-08	6.14"	3.94"	0.53"	2.74"	2.36"	1/2" NPT	31.2	7"	4.33"	0.69"	2.73"	2.36"	1/2" NPT	29
B175U-12		3.94"					31.2							
B175U-18	6.93"	4.72"	0.53"	2.74"	2.36"	1/2" NPT	34.6	7.79"	5.12"	0.69"	2.73"	2.36"	1/2" NPT	31.2
B175U-25							34.6							
B175U-30	7.09"	5.12"	0.83"	2.93"	3.15"	3/4" NPT	47.8	9.53"	5.51"	0.78"	2.92"	2.36"	3/4" NPT	36.8
B175U-40		5.12"		47.8			36.8							
B175U-50	9.05"	6.69"	0.83"	3.15"	3.15"	3/4" NPT	51.1	9.65"	7.09"	0.90"	3.17"	2.36"	3/4" NPT	40.1
B175U-55				3.15"			40.1							
B175U-65	9.05"	6.69"	0.83"	3.33"	3.15"	3/4" NPT	51.1	9.65"	7.09"	0.90"	3.33"	2.36"	3/4" NPT	40.1

B250U
Standard pressure

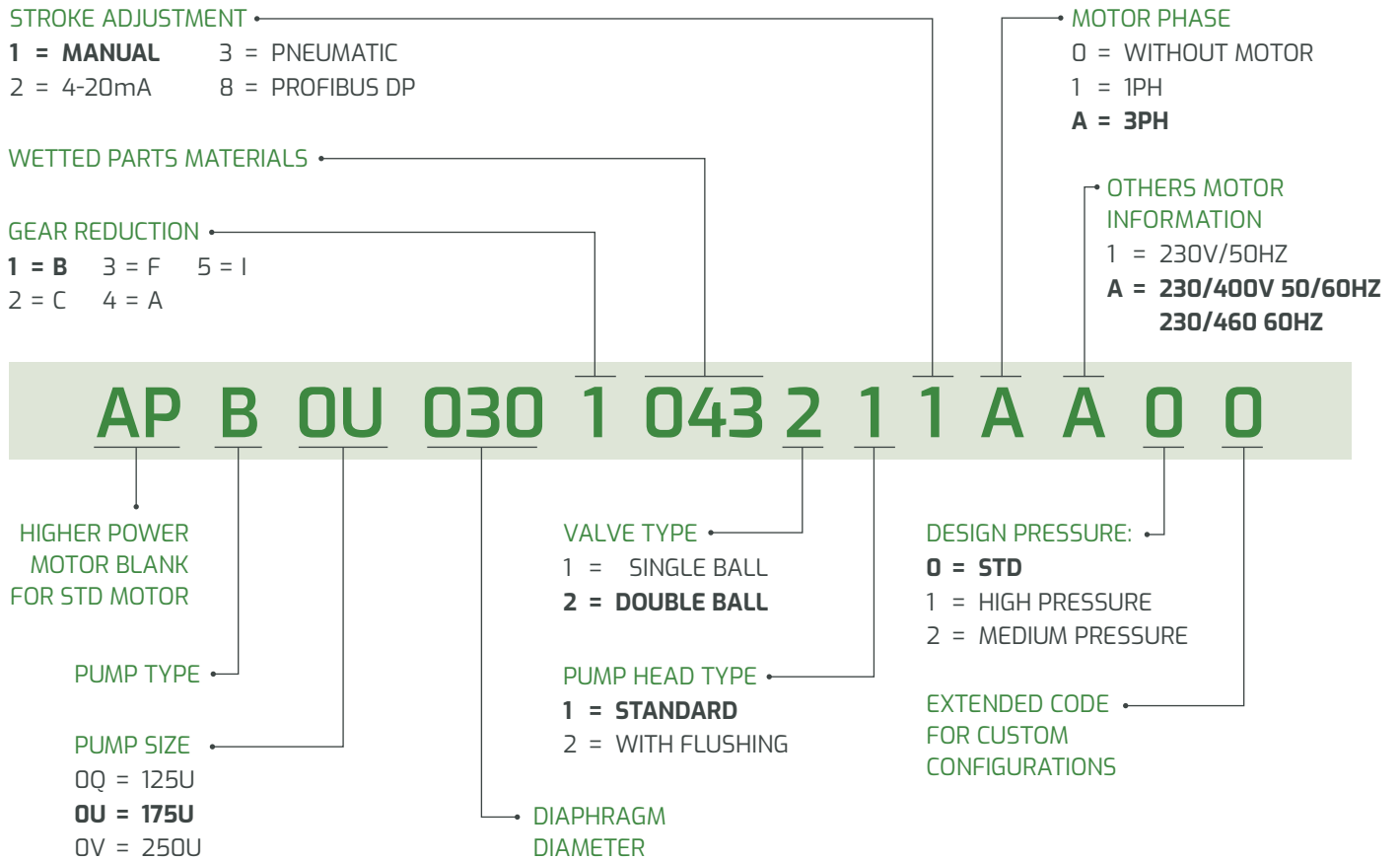


Pump model	Stainless Steel Configuration							Plastic Configuration						
	A	B	C	D	E	$\varnothing F$	lb	A	B	C	D	E	$\varnothing F$	lb
B250U-40	9.05"	6.69"	0.83"	2.93"	3.15"	3/4" NPT	77.3	9.65"	7.09"	0.9"	2.93"	3.15"	3/4" NPT	66.3
B250U-50				2.93"			78.4				66.3			
B250U-55	12.6"	8.27"	1.06"	3.17"	3.84"	1" NPT	79.5	12.6"	8.66"	1.34"	3.17"	3.84"	1" NPT	70.7
B250U-65				3.17"			79.5				70.7			
B250U-75	12.6"	8.27"	1.06"	4"	3.84"	1" NPT	97.2	12.6"	8.66"	1.34"	4"	3.84"	1" NPT	75.1
B250U-90				4"			101.6				75.1			





How to read the pump code



Data is for reference only and subject to change without notice.

