

## Design Features

- Dry pump cavity
- Self-priming operation
- Runs dry without damage
- Complete isolation of fluid pumped
- Heavy-duty roller bearings
- Variety of pump configurations, flows, and pressure ratings
- No dynamic seals, cups or packing to leak, wear or replace
- Reversible flow
- Low maintenance

## Materials of Construction

### Non-wetted Parts

Casing: Aluminum Alloy

Rotor: Aluminum Alloy

Rollers: Plastic/Alloy

### Wetted Parts

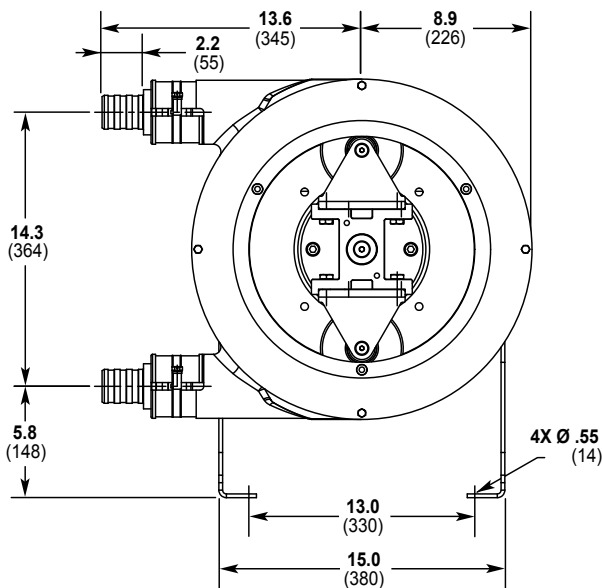
Hose:

EXTRUDED – Neoprene, Varpren, Silicone

BRAIDED – EPDM, Hypalon, Nitrile Rubber, Natural Rubber (regular and heavy-duty)

Inlet/Outlet Connections:

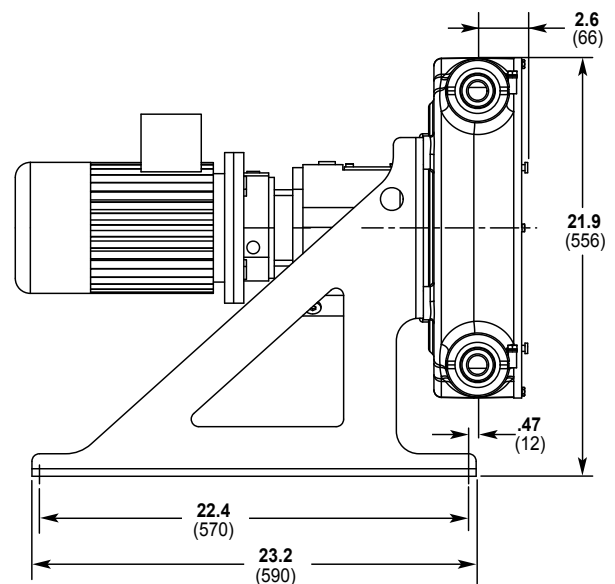
PTFE or Stainless Steel Hose Barb, Stainless Steel or Carbon Steel ANSI Flange, PTFE NPT, and Stainless Steel Sanitary Tri-clamp



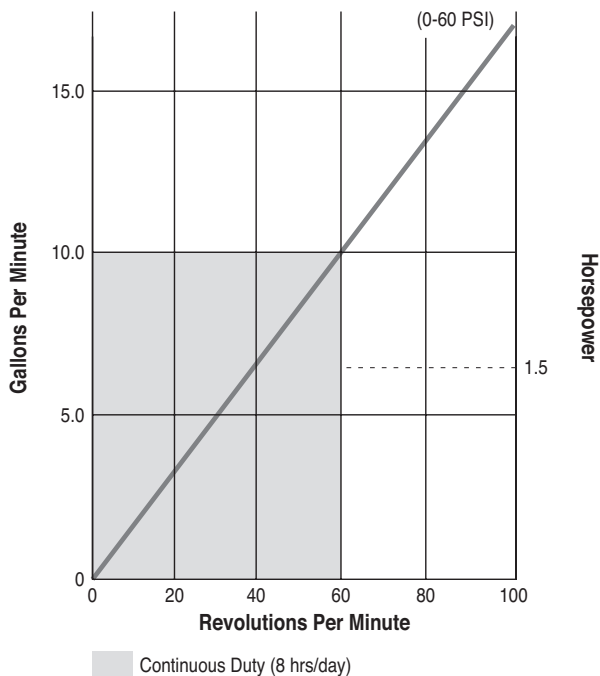
## Dimensional Drawings

Inches (mm)

See Ordering Information for motor and gearbox sizes



## Performance



## Fluid Characteristics

|                     |                           |
|---------------------|---------------------------|
| Viscosity:          | 15,000 cps max.           |
| Liquid Temperature: | 180°F (82°C) max.         |
| Solid Size:         | (see page 4)              |
| Fiber Length:       | 1-7/8 inch (47.6 mm) max. |

## Specifications

|                      |                        |
|----------------------|------------------------|
| Discharge Pressure:  | 60 psig (4.1 bar) max. |
| Suction Lift:        | 24 ft. (7.3 m)         |
| Suction Pressure:    | 25 psig (1.7 bar) max. |
| Horsepower*:         | 2 max.                 |
| Hose Size:           | 30 x 55 x 1150 mm      |
| Displacement:        | 0.182 gal/rev          |
| Weight (pump only):  | 95 lbs. (43 kg)        |
| Weight (with drive): | 171 lbs. (78 kg)       |

\* Pumps are shaft driven and require a gearbox and motor. See Ordering Information for details.

## Model 2006 Ordering Information

A complete Vector pump order number uses a 9-character order code to identify the desired hose, fittings and drive. Select the appropriate items from the chart below and use the order code from each group to complete the pump assembly order number.

|   |   |   |   |   |   |   |   |   |    |
|---|---|---|---|---|---|---|---|---|----|
| 1 | 2 | 3 | 4 | 5 | 6 | 7 | 8 | 9 | 10 |
| 2 | 0 | 0 | 6 |   |   |   |   |   |    |

| Order Digit | Order Code  | Description   |    |                     |
|-------------|-------------|---|----|---------------------|
| <b>1-4</b>  | <b>2006</b> | <b>Pump Designation</b><br>Model 2006 Shaft Drive Pump        |    |                     |
| <b>5-6</b>  |             | <b>Hose Material/Type</b>                                     |    |                     |
|             | EF          | EPDM, fiber-braided   |    |                     |
|             | HF          | Hypalon, fiber-braided  |    |                     |
|             | MF          | Natural Rubber, fiber-braided, heavy-duty (200 psig max.)     |    |                     |
|             | NF          | Natural Rubber, fiber-braided                                 |    |                     |
|             | PE          | Neoprene, extruded (30 psig max.)                             |    |                     |
|             | SE          | Silicone, extruded (30 psig max.)                             |    |                     |
|             | OF          | Nitrile, Oil-rated, fiber-braided, heavy-duty (200 psig max.) |    |                     |
|             | VE          | Varpene, extruded (30 psig max.)                              |    |                     |
| <b>7-8</b>  |             | <b>Connector Material/Style</b>                               |    |                     |
|             | AA          | PTFE, 1-1/4" hose barb  |    |                     |
|             | BB          | 316 SST, 1-1/4" ANSI flange                                   |    |                     |
|             | CC          | 316 SST, Sanitary, 1-1/2" tri-clamp                           |    |                     |
|             | DD          | Carbon Steel, 1-1/4" ANSI flange                              |    |                     |
|             | EE          | Carbon Steel, 1-1/2" male NPT                                 |    |                     |
|             | HH          | PTFE, 1-1/4" male NPT   |    |                     |
|             | TT          | SST 1-1/2" NPT  |    |                     |
|             | SS          | 316 SST, 1-1/4" hose barb                                     |    |                     |
| <b>9-10</b> |             | <b>Drive</b>  |    |                     |
|             |             | <b>Flow GPM</b>   |    |                     |
|             |             | <b>Gear Ratio</b>   |    |                     |
|             |             | <b>Pump RPM</b>   |    |                     |
|             |             | <b>Max Psig</b>   |    |                     |
|             |             | <b>3Ø, 1 BHP TEFC, 230-460 VAC, 60 Hz</b>                     |    |                     |
|             |             | <b>4:1 Constant Torque Speed Range</b>                        |    |                     |
| B2          | 3.5         | 90:1  | 19 | 45(60) <sup>1</sup> |
|             |             | <b>3Ø, 1-1/2 BHP TEFC, 230-460 VAC, 60 Hz</b>                 |    |                     |
|             |             | <b>4:1 Constant Torque Speed Range</b>                        |    |                     |
| D2          | 4.8         | 65:1  | 27 | 45(60) <sup>1</sup> |
| F2          | 7.2         | 43:1  | 40 | 45(60) <sup>1</sup> |
|             |             | <b>3Ø, 2 BHP TEFC, 230-460 VAC, 60 Hz</b>                     |    |                     |
|             |             | <b>4:1 Constant Torque Speed Range</b>                        |    |                     |
| H2          | 10.3        | 30:1  | 57 | 35(45) <sup>1</sup> |
| J2          | 14.1        | 22:1  | 78 | 35(45) <sup>1</sup> |
| A           |             |   |    | No Drive            |

<sup>1</sup>( ) Heavy-duty, fiber-braided hose