

## Design Features

- Dry pump cavity or lubricant-filled
- Self-priming operation
- Runs dry without damage
- Complete isolation of fluid pumped
- Heavy-duty roller bearings
- Variety of pump configurations, flows, and pressure ratings
- No dynamic seals, cups or packing to leak, wear or replace
- Reversible flow
- Low maintenance

## Materials of Construction

### Non-wetted Parts

Casing: Aluminum Alloy

Rotor: Aluminum Alloy

Rollers: Steel

### Wetted Parts

Hose:

BRAIDED – Hypalon, EPDM, Natural Rubber (regular and heavy-duty), Oil-rated Nitrile

Inlet/Outlet Connections:

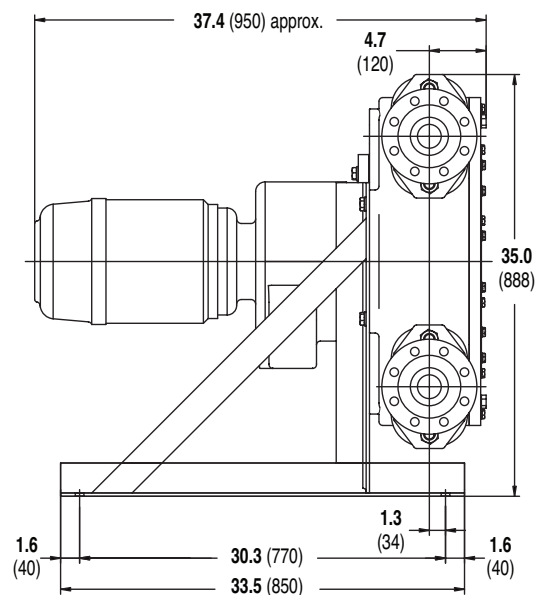
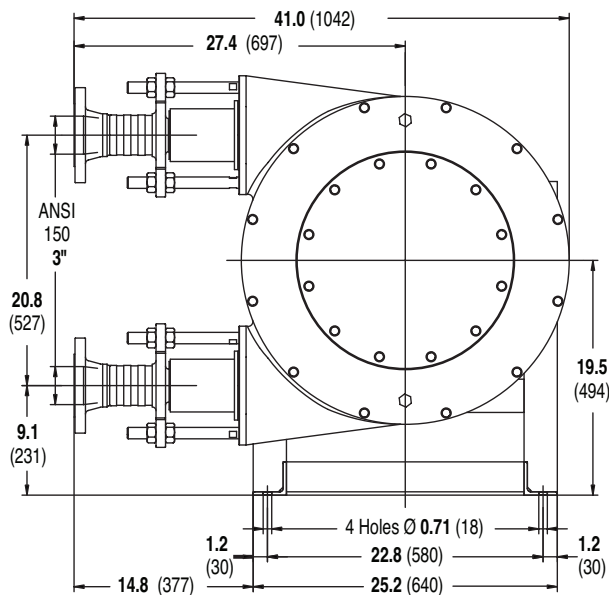
Stainless Steel Flange, Carbon Steel NPT, Stainless Steel NPT, Nylon NPT, Polypropylene NPT



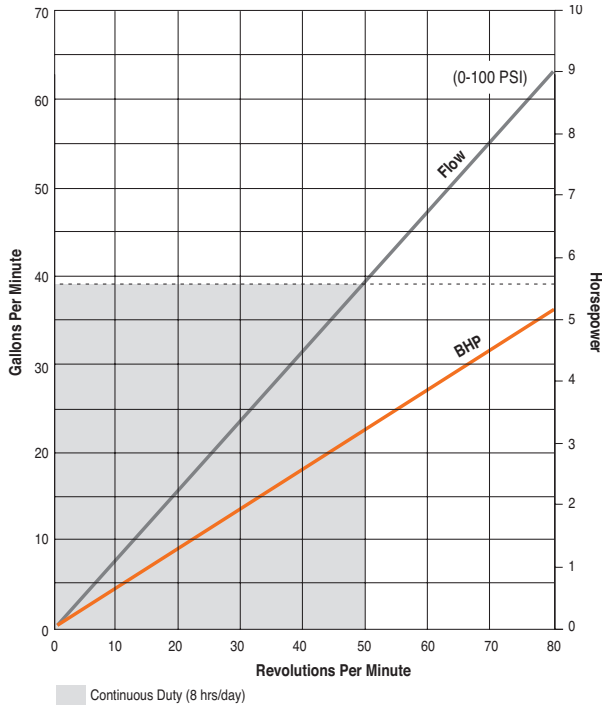
## Dimensional Drawings

Inches (mm)

See Ordering Information for motor and gearbox sizes



### Performance



### Fluid Characteristics

Viscosity:	100,000 cps max.
Liquid Temperature:	180°F (82°C) max.
Solid Size:	(see page 4)
Fiber Length:	36 inch (914 mm) max.

### Specifications

Discharge Pressure:	100 psig (7 bar) max.
Suction Lift:	24 ft. (7.3 m)
Suction Pressure:	21 psig (1.4 bar) max.
Horsepower:*	12 max.
Hose Size:	55 x 90 x 1850 mm
Displacement:	1.05 gal/rev
Lubrication Fluid:	4 gal max.
Weight (pump only):	529 lbs. (240 kg)
Weight (with drive):	739 lbs. (336 kg)

\* Pumps are shaft driven and require a gearbox and motor. See Ordering Information for details.

### Model 2008 Ordering Information

A complete Vector pump order number uses a 10-character order code to identify the desired hose, fittings and drive. Select the appropriate items from the chart below and use the order code from each group to complete the pump assembly order number.

1	2	3	4	5	6	7	8	9	10
2	0	0	8						

Order Digit	Order Code	Description			
<b>1-4</b>	<b>2008</b>	<b>Pump Designation</b> Model 2008 Shaft Drive Pump			
<b>5-6</b>		<b>Hose Material/Type</b>			
	EF	EPDM, fiber-braided (75 psig max.)			
	HF	Hypalon, fiber-braided (75 psig max.)			
	MF	Natural Rubber, fiber-braided, heavy-duty (100 psig max.)			
	NF	Natural Rubber, fiber-braided (75 psig max.)			
	OF	Oil-rated Nitrile, fiber-braided, heavy-duty (100 psig max.)			
<b>7-8</b>		<b>Connector Material/Style</b>			
	BB	316 SST, 3" ANSI flange			
	EE	Carbon Steel, 3" male NPT			
	NN	Nylon, 3" male NPT (200°F max.)			
	PP	Polypropylene, 3" male NPT (185°F max.)			
	TT	316 SST, 3" male NPT			
<b>9-10</b>		<b>Drive</b>			
		<b>Flow GPM</b> <b>Gear Ratio</b> <b>Pump RPM</b> <b>Max Psig</b> <b>BHP</b>			
		<b>Three Phase, TEFC, 230-460 VAC, 60 Hz</b>			
		<b>4:1 Constant Torque Speed Range</b>			
	<b>B2</b>	16	83:1	21	100 <sup>(1)</sup> 5
	<b>D2</b>	23	60:1	29	100 <sup>(1)</sup> 5
	<b>F2</b>	28	48:1	36	100 <sup>(1)</sup> 5
	<b>H2</b>	31	42:1	40	100 <sup>(1)</sup> 5
	<b>J2</b>	36	37:1	47	100 <sup>(1)</sup> 5
	<b>L2</b>	50	27:1	64	90 <sup>(1)</sup> 7.5
	<b>A</b>	No Drive			
		<sup>1</sup> ( ) Fluid Viscosity		Pressure Range	
		0 - 500 cps		0 - 75 psig	
		500 - 100,000 cps		0 - 100 psig	