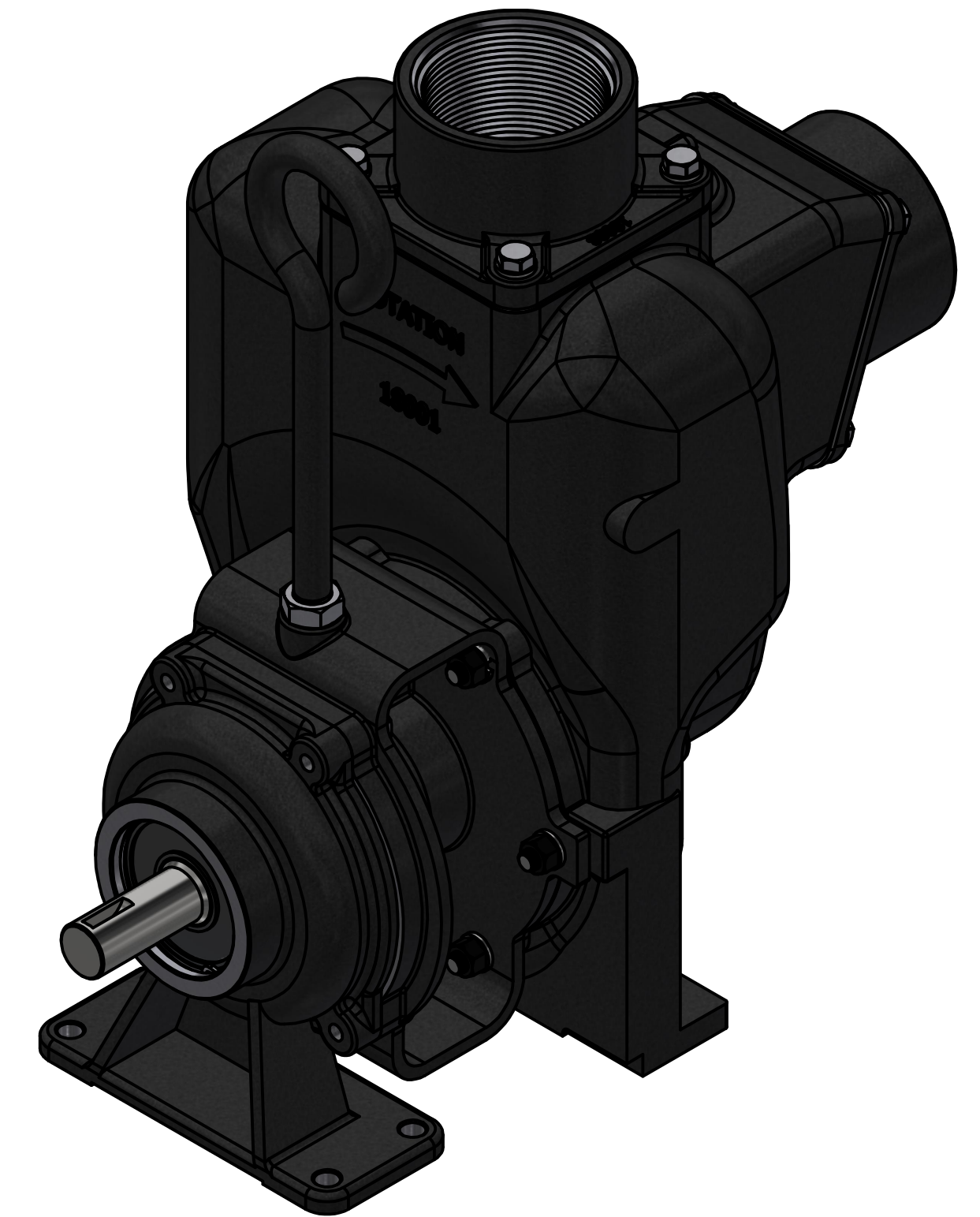


PARTS LIST			
ITEM	QTY	PART NUMBER	DESCRIPTION
1	1	12910	DECAL (N/S)
2	4	17704	3/8-16 X 1 1/4" HHCS
3	1	18129	KEYED CLAMP ASSY.
4	1	18500	BEARING PEDESTAL
5	1	300XPOI	3" CI PUMP SUB-ASSY
5-1	1	300XPOIL	3" CI PUMP SUB-ASSEMBLY
5-2	1	12777	1/2" DRAIN PLUG
5-3	1	13777	3/4" DRAIN PLUG, MOLDED
5-4	1	13778	AS568A -119 O-RING, EPDM, BLACK
5-5	1	UV15163	AS568A -114 O-RING, EPDM, BLACK
5-6	1	18125	MECH. SEAL ASSY.
5-7	1	18021	PUMP ADAPTER GASKET
5-8	1	18023SS	3" 316 SS PUMP IMPELLER
6	4	V20018	3/8" LOCKWASHER



THIS DRAWING AND ALL INFORMATION CONTAINED THEREON ARE THE EXCLUSIVE PROPERTY OF BANJO CORPORATION.

UNLESS SPECIFICALLY NOTED, THIS DRAWING AND ITEMS SHOWN ON THIS DRAWING ARE SUBJECT TO CHANGE AT ANY TIME.

BANJO CORPORATION  
 150 BANJO DRIVE, CRAWFORDSVILLE, IN 47933  
 WEB SITE: WWW.BANJO.CORP.COM  
 E-MAIL: BANJOSALES@IDEXCORP.COM

DESCRIPTION  
**3" CI PUMP W/ BEARING PEDESTAL**

PART NUMBER  
**300PBI**