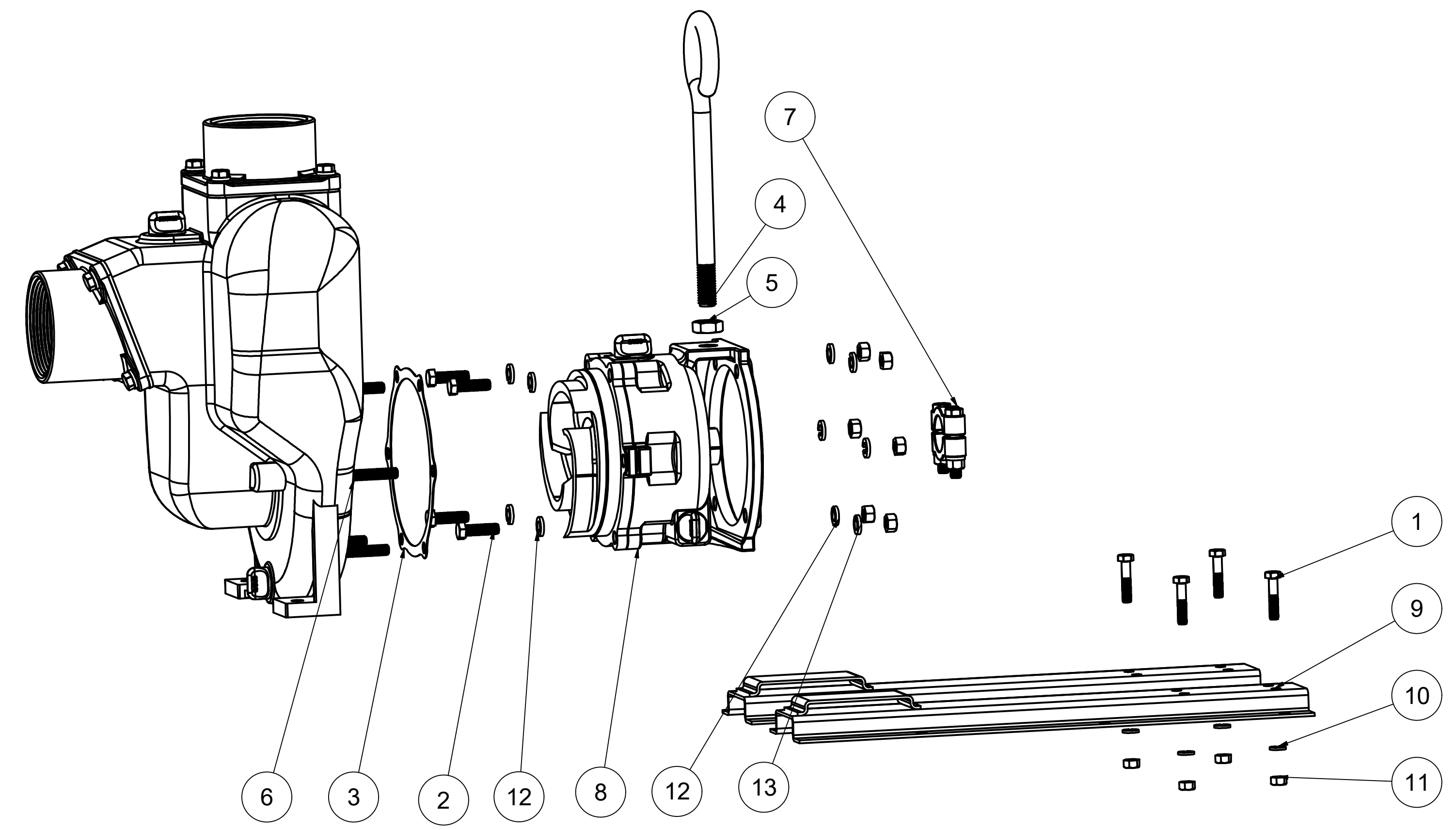


Parts List			
ITEM	QTY	PART NUMBER	DESCRIPTION
1	4	17034	5/16-18 X 1-1/2" HHCS
2	4	17704	3/8-16 X 1 1/4" HHCS
3	1	18021	PUMP ADAPTER GASKET
4	1	18033	PUMP HANDLE
5	1	18034	5/8-11 JAM NUT
6	1	18126SS	3" SS PUMP SUBASSEBLY
7	1	18129	KEYED CLAMP ASSY.
8	1	18200ASS	3" CI PUMP RESERVOIR, NEW
9	1	18235	Z-RAIL (PAIR)
10	4	V10118	5/16" LOCKWASHER
11	4	V10119	5/16" HEX NUT
12	10	V20018	3/8" LOCKWASHER
13	6	V20019	3/8" HEX NUT
14	1	12910	DECAL (N/S)
15	1	KK-57	WET SEAL WARNING TAG (N/S)



THIS DRAWING AND ALL INFORMATION CONTAINED THEREON ARE THE EXCLUSIVE PROPERTY OF BANJO CORPORATION.

UNLESS SPECIFICALLY NOTED, THIS DRAWING AND ITEMS SHOWN ON THIS DRAWING ARE SUBJECT TO CHANGE AT ANY TIME.



**BANJO CORPORATION**

150 BANJO DRIVE, CRAWFORDSVILLE, IN 47933  
 WEB SITE: WWW.BANJOCORP.COM  
 E-MAIL: SALES1@BANJOCORP.COM

DESCRIPTION	<b>3" SS PUMP ONLY</b>
PART NUMBER	<b>301POSSW</b>