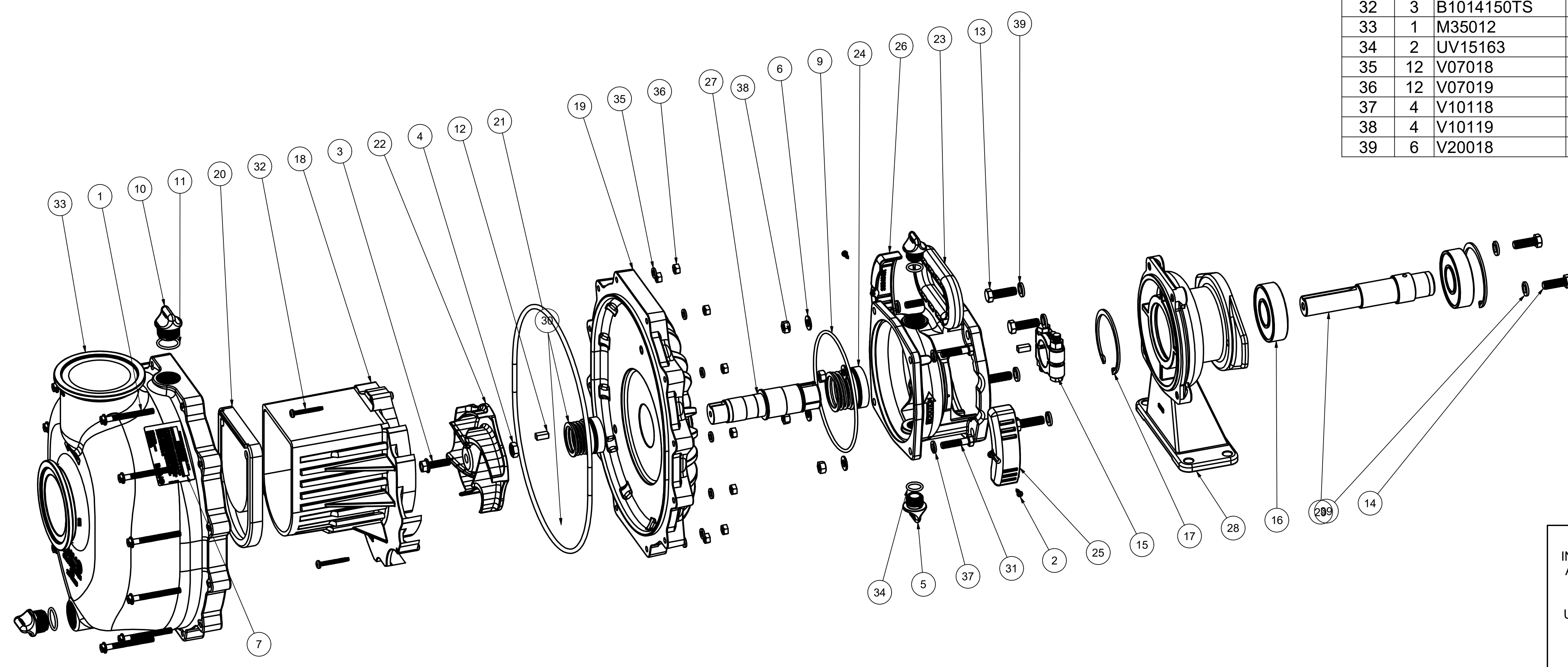


Parts List			
ITEM	QTY	PART NUMBER	DESCRIPTION
1	12	12720	1/4-20 X 2 1/2" SL IND HEX WASHER HEAD SCREW
2	2	12725	#6 X 1/2" PPH SMS
3	1	12765A	5/16-24 X 1 1/8" HFS
4	1	12775A	7/16-14 HEX NUT
5	2	12777	1/2" DRAIN PLUG
6	4	12901	5/16" FLAT WASHER
7	1	12910	PUMP WARNING LABEL
9	1	13719	AS568A -256 O-RING, EPDM, BLACK
10	2	13777	3/4" DRAIN PLUG, MOLDED
11	2	13778	AS568A -119 O-RING, EPDM, BLACK
12	2	16901SS	1/4" SQ. X 5/8" KEY 18-8 SS
13	4	17704	3/8-16 X 1 1/4" HHCS
14	2	18010SS	3/8-16 X 1 1/8" HHCS
15	1	18029	CLAMP
16	2	18502	BEARING PEDESTAL BEARING
17	2	18506	RETAINING RING
18	1	35002	M350 DIFFUSER
19	1	35004	M350 REAR BRACKET
20	1	35005	3" WET SEAL POLY PUMP CHECK VALVE
21	1	35113E	1.125" MECHANICAL SEAL, EPDM, BULK
22	1	35073	M350 5-VANE IMPELLER
23	1	35201	M350 WET SEAL RESERVOIR
24	1	35313E	1.375" MECHANICAL SEAL, EPDM, BULK
25	1	35246GL	LEFT SHAFT GUARD FOR M350P
26	1	35246GR	RIGHT SHAFT GUARD FOR M350P
27	1	35255	3" WET SEAL POLY PUMP SHAFT ADAPTER FOR E13H
28	1	35882	BEARING PEDESTAL HOUSING, SAE 2-BOLT "A"
29	1	35883C	BEARING PEDESTAL SHAFT FOR HYDRAULIC MOTOR, 9/16"
30	1	A380E	AS568 #380 EPDM O-RING
31	4	B0516138	5/16-18 X 1 3/8" HHCS
32	3	B1014150TS	#10 X 1 1/2 THREAD FORMING SCREW, 18-8 SS
33	1	M35012	M350 MANIFOLD BODY
34	2	UV15163	AS568A -114 O-RING, EPDM, BLACK
35	12	V07018	1/4" LOCKWASHER
36	12	V07019	1/4"-20 S.S. HEX NUT
37	4	V10118	5/16" LOCKWASHER
38	4	V10119	5/16"-18 SS NUT
39	6	V20018	3/8" LOCKWASHER



THIS DRAWING AND ALL INFORMATION CONTAINED THEREON ARE THE EXCLUSIVE PROPERTY OF BANJO CORPORATION.

UNLESS SPECIFICALLY NOTED, THIS DRAWING AND ITEMS SHOWN ON THIS DRAWING ARE SUBJECT TO CHANGE AT ANY TIME.

BANJO CORPORATION
 A UNIT OF IDEX CORPORATION
 150 BANJO DRIVE, CRAWFORDSVILLE, IN 47933
 WEB SITE: WWW.BANJOCORP.COM
 E-MAIL: BANJOSALES@IDEXCORP.COM

DESCRIPTION:
3" WET SEAL POLY PMP HYD PDST

PART NUMBER:
M350PHAW