

HEAVY
PUMPS

TOYO
PUMPS



DXL SERIES

A RELIABLE DEWATERING PUMP SOLUTION
AVAILABLE IN HIGH HEADS TO 525 FT. (160M)

DXL HIGH HEAD DEWATERING PUMPS

TOYO'S DXL HIGH HEAD SUBMERSIBLE SERIES IS A DEPENDABLE AND ECONOMICAL SOLUTION TO YOUR HIGH HEAD DEWATERING APPLICATIONS.

DXL 15H - DXL 150H

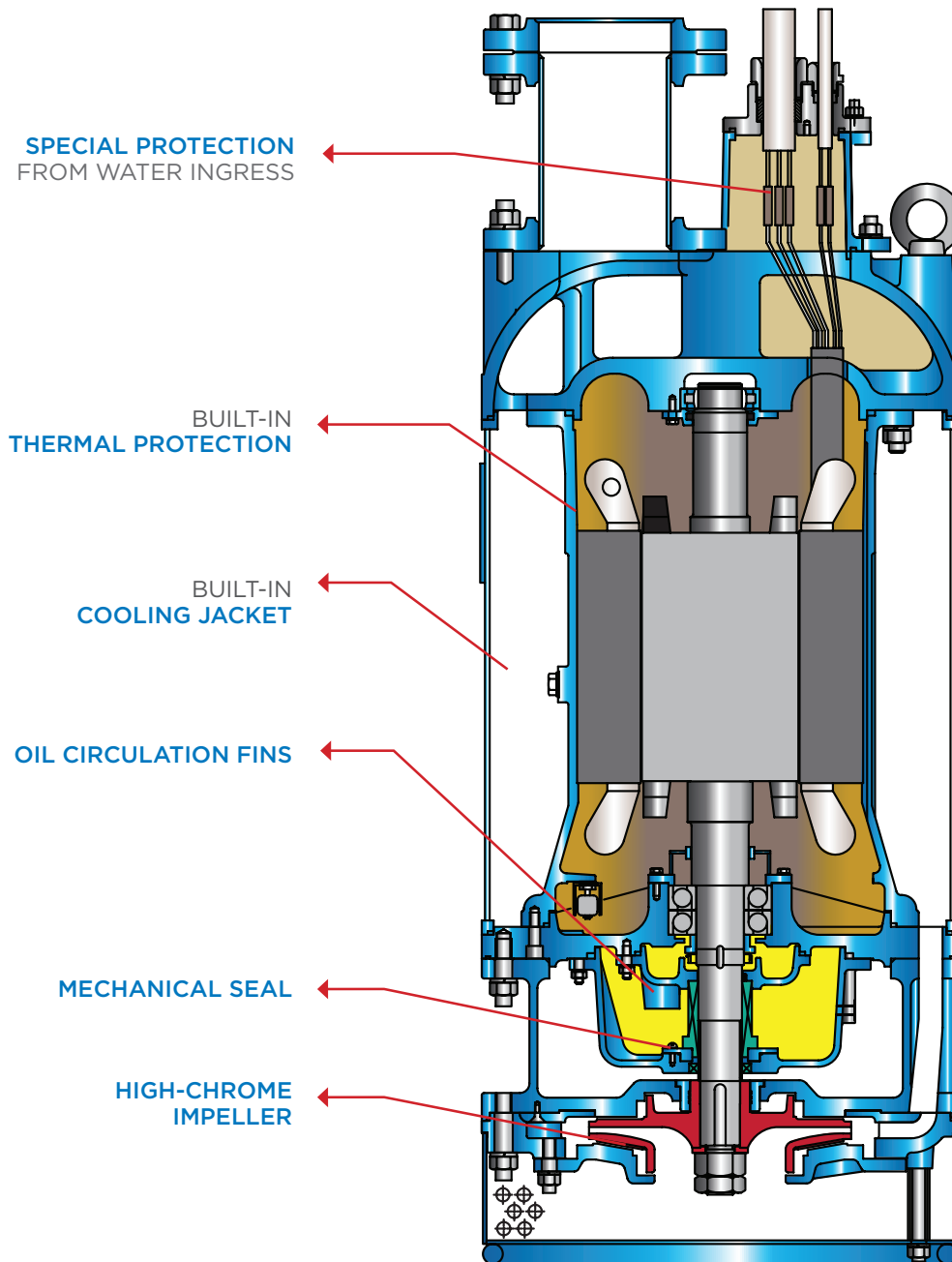
- ▶ Available from **15HP-150HP**
- ▶ Up to **525 ft (160m)** rated head
- ▶ Capacities (rated) up to **700 USgpm (159 m³/hr)**
- ▶ Up to **6" (150mm)** discharge
- ▶ Built in **Cooling Jacket**
- ▶ **High Chrome impeller**
- ▶ **Silicon Carbide Mechanical Sea**



DXL HIGH HEAD FEATURES

The robust **High Head Dewatering Pumps** are available in powers ranging from **15 HP - 150 HP** and can pump up to 700 GPM and reach heads up to 525 feet.

DXLs are a **reliable dirty water pump** that are able to operate in water levels as low as 6 inches (approx).



DXL LOW HEAD DEWATERING PUMPS

TOYO'S DXL SUBMERSIBLE SERIES IS A DEPENDABLE AND ECONOMICAL SOLUTION TO ALL YOUR DRAINAGE & DEWATERING NEEDS.

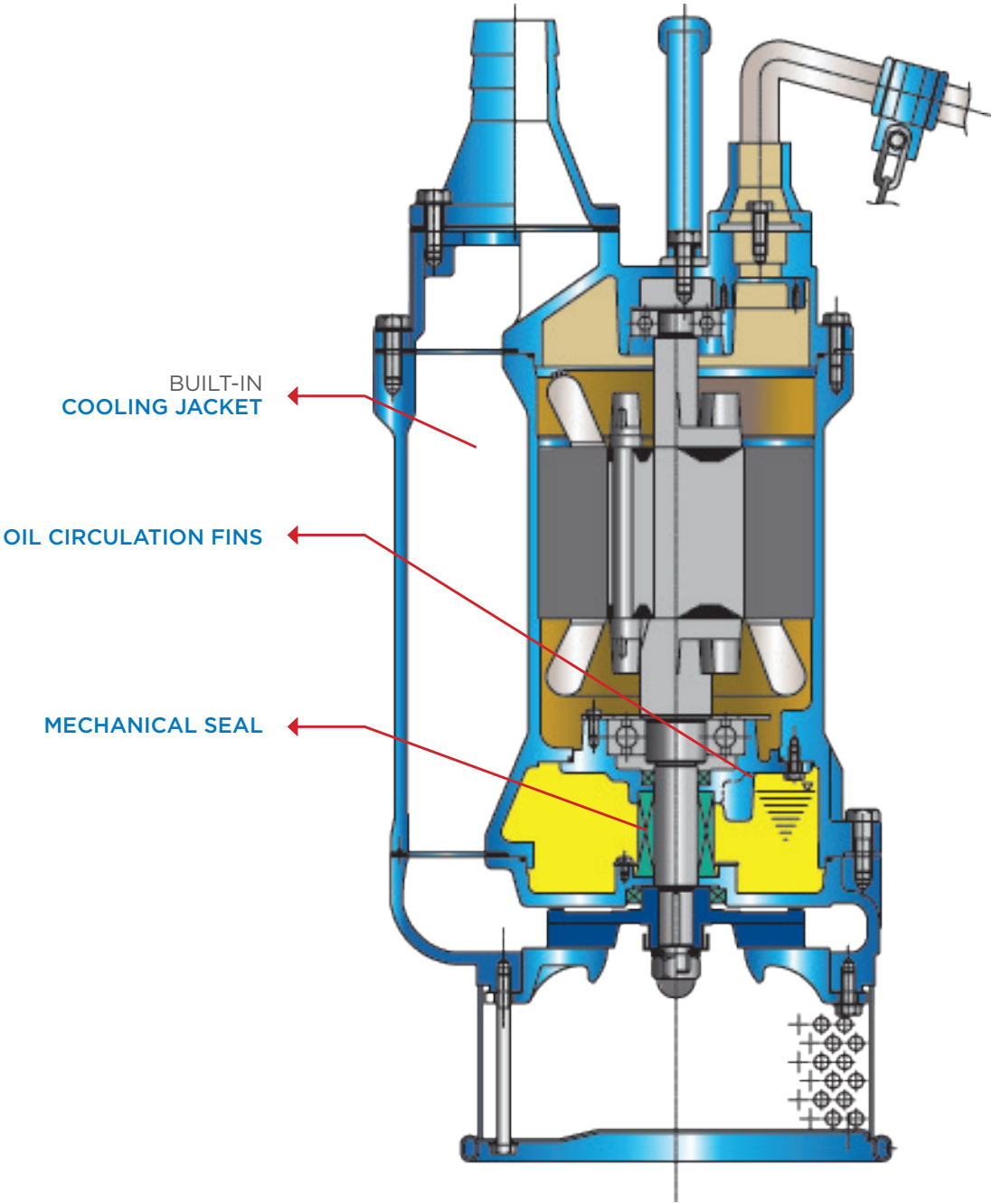
DXL 5 - DXL 20

- ▶ Available from **5HP-20HP**
- ▶ Up to **180 ft (55m)** rated head
- ▶ Capacities up to **400 USgpm (91 m³/hr)**
- ▶ Up to **4" (100mm)** discharge
- ▶ Built in **cooling jacket**
- ▶ **Cast Iron impeller**
- ▶ **Silicon Carbide** mechanical seal



DXL LOW HEAD FEATURES

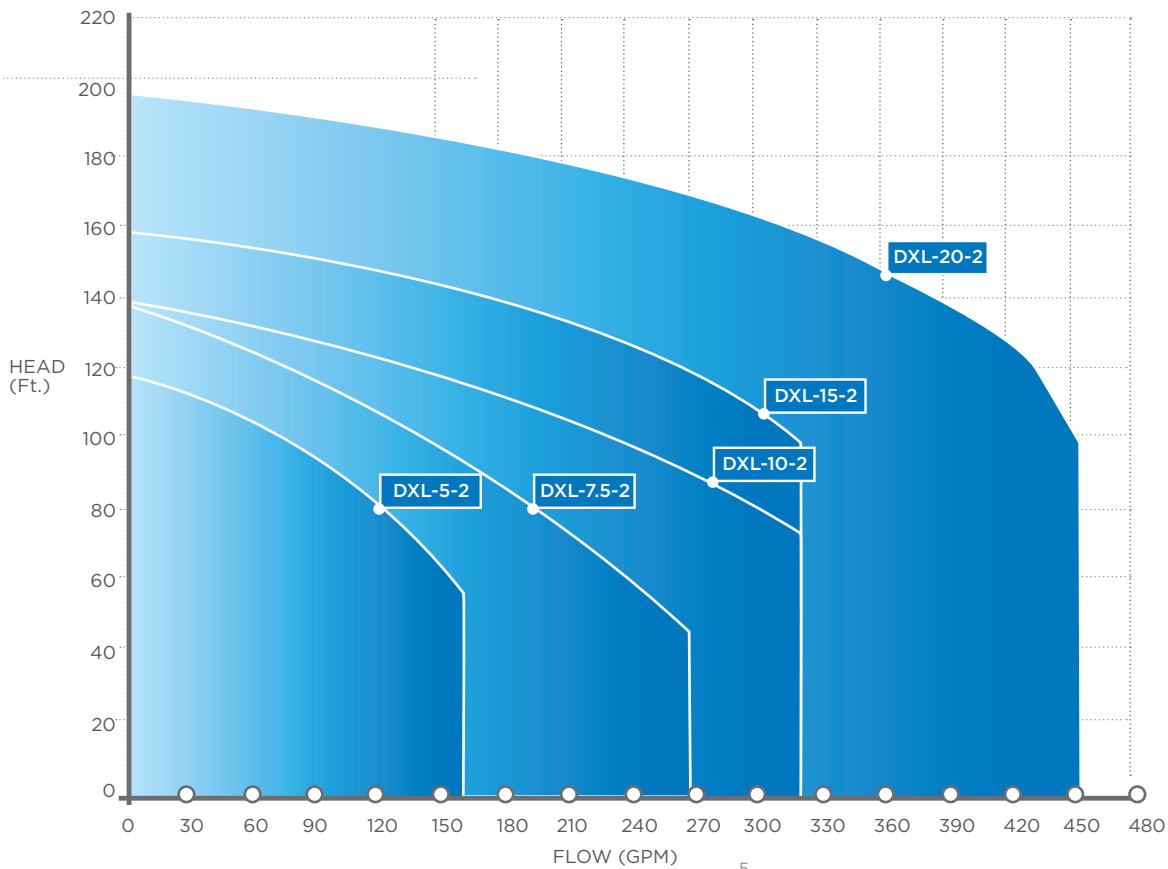
These **low head dewatering pumps** are available in powers ranging from **5 HP - 20 HP** and can pump up to 400 GPM and reach heads up to 180 feet



DXL LOW HEAD SPECS

PUMP CHARACTERISTICS	DXL-5-2	DXL-7.5-2	DXL-10-2	DXL-15-2	DXL-20-2
Discharge Diameter - inch (mm)	2 (50)	3 (80)	4 (100)	4 (100)	4 (100)
Discharge Connection Type	Hose Coupling	Hose Coupling	Hose Coupling	Hose Coupling	Hose Coupling
Flow at rated point - USGPM (m3/min)	53 (0.2)	150 (0.6)	211 (0.8)	264 (1.0)	317 (1.2)
Head at rated point - ft (m)	98 (30)	82 (25)	98 (30)	115 (35)	131 (40)
Impeller Type	Semi-Open	Semi-Open	Semi-Open	Semi-Open	Semi-Open
Impeller Diameter - inch (mm)	5.9 (150)	6.6 (168)	6.7 (170)	7.1 (180)	7.7 (195)
Maximum Solid Size - inch (mm)	0.3 (8)	0.3 (8)	0.3 (8)	0.3 (8)	0.3 (8)
Weight - lb (kg)	150 (68)	187 (85)	243 (110)	363 (165)	396 (180)
Motor Size - HP (kW)	5 (3.7)	7.5 (5.5)	10 (7.5)	15 (11)	20 (15)
Speed - RPM	3450	3450	3450	3450	3450
Voltage - V (at 60Hz)	460/575	460/575	460/575	460/575	460/575
Rated Current (amps)	7.0/5.0	9.5/7.5	12.5/11.0	17.0/13.6	23.0/18.4
Starting Method	Direct-on-Line	Direct-on-Line	Direct-on-Line	Direct-on-Line	Star-Delta
Cable length - ft (m)	26 (8)	26 (8)	26 (8)	26 (8)	26 (8)
Motor Thermal Protection	No	No	No	No	No
Insulation Class	F	F	F	F	F

DXL LOW HEAD CURVES

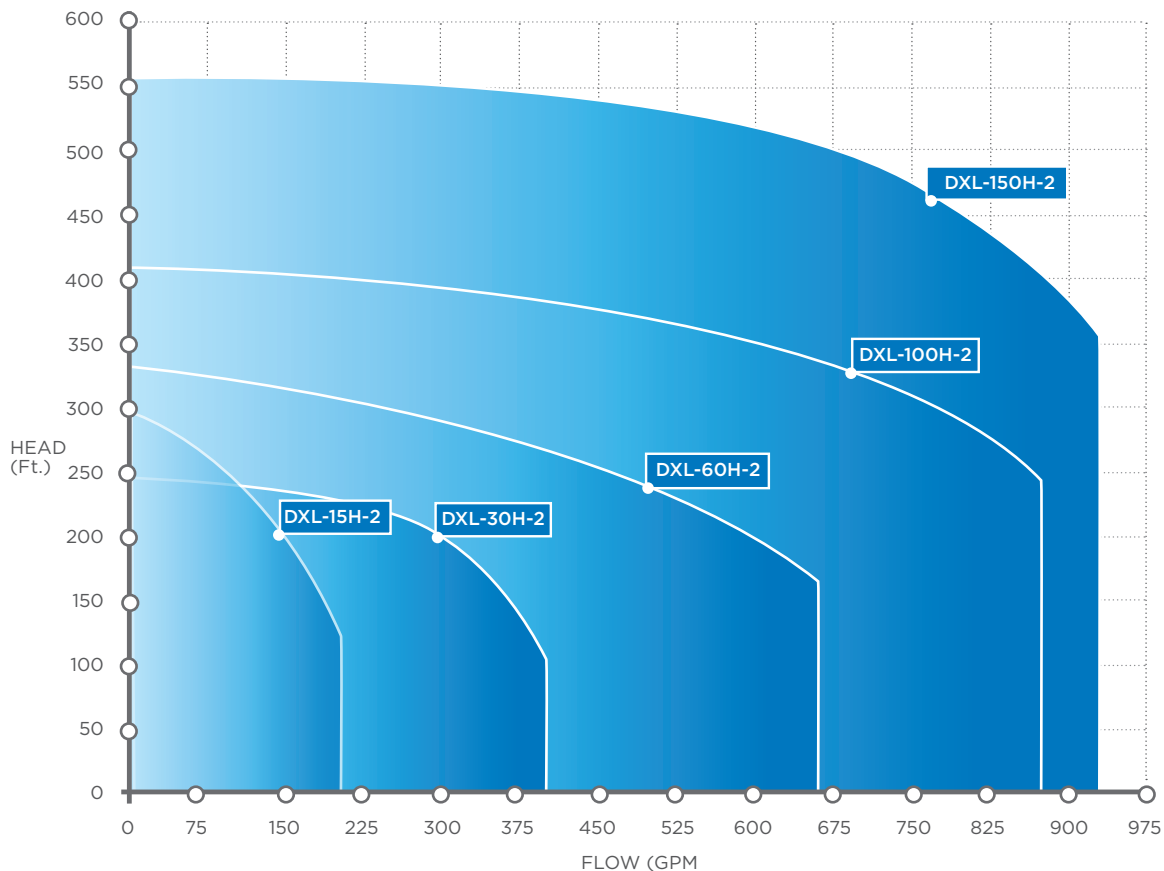


DXL HIGH HEAD SPECS

PUMP CHARACTERISTICS	DXL-15H-2	DXL-30H-2	DXL-60H-2	DXL-100H-2	DXL-150H-2
Discharge Diameter - inch (mm)	3 (80)	4 (100)	6 (150)	6 (150)	6 (150)
Discharge Connection Type	FNPT Flange	FNPT Flange	FNPT Flange	FNPT Flange	FNPT Flange
Flow at rated point - USGPM (m ³ /min)	132 (0.5)	264 (1.0)	264 (1.0)	528 (2.0)	528 (2.0)
Head at rated point - ft (m)	210 (64)	197 (60)	295 (90)	361 (110)	525 (160)
Impeller Type	Semi-Open*	Closed	Closed	Closed	Closed
Impeller Diameter - inch (mm)	9.8 (250)	8.0 (202)	9.9 (251)	11.2 (285)	13.0 (330)
Maximum Solid Size - inch (mm)	0.24 (6)	0.4 (10)	0.4 (10)	0.4 (10)	0.4 (10)
Weight - lb (kg)	397 (180)	704 (320)	1650 (750)	1700 (770)	2430 (1100)
Motor Size - HP (kW)	15 (11)	30 (22)	60 (44)	100 (75)	150 (110)
Speed - RPM	3450	3450	3450	3450	3450
Voltage - V (at 60Hz)	460/575	460/575	460/575	460/575	460/575
Rated Current (amps)	18/15	37/30	74/59	124/99	178/145
Starting Method	Direct-on-Line	Direct-on-Line	Star-Delta	Star-Delta	Star-Delta
Cable length - ft (m)	50 (15)	50 (15)	50 (15)	50 (15)	50 (15)
Motor Thermal Protection	Yes	Yes	Yes	Yes	Yes
Insulation Class	E	E	E	F	F

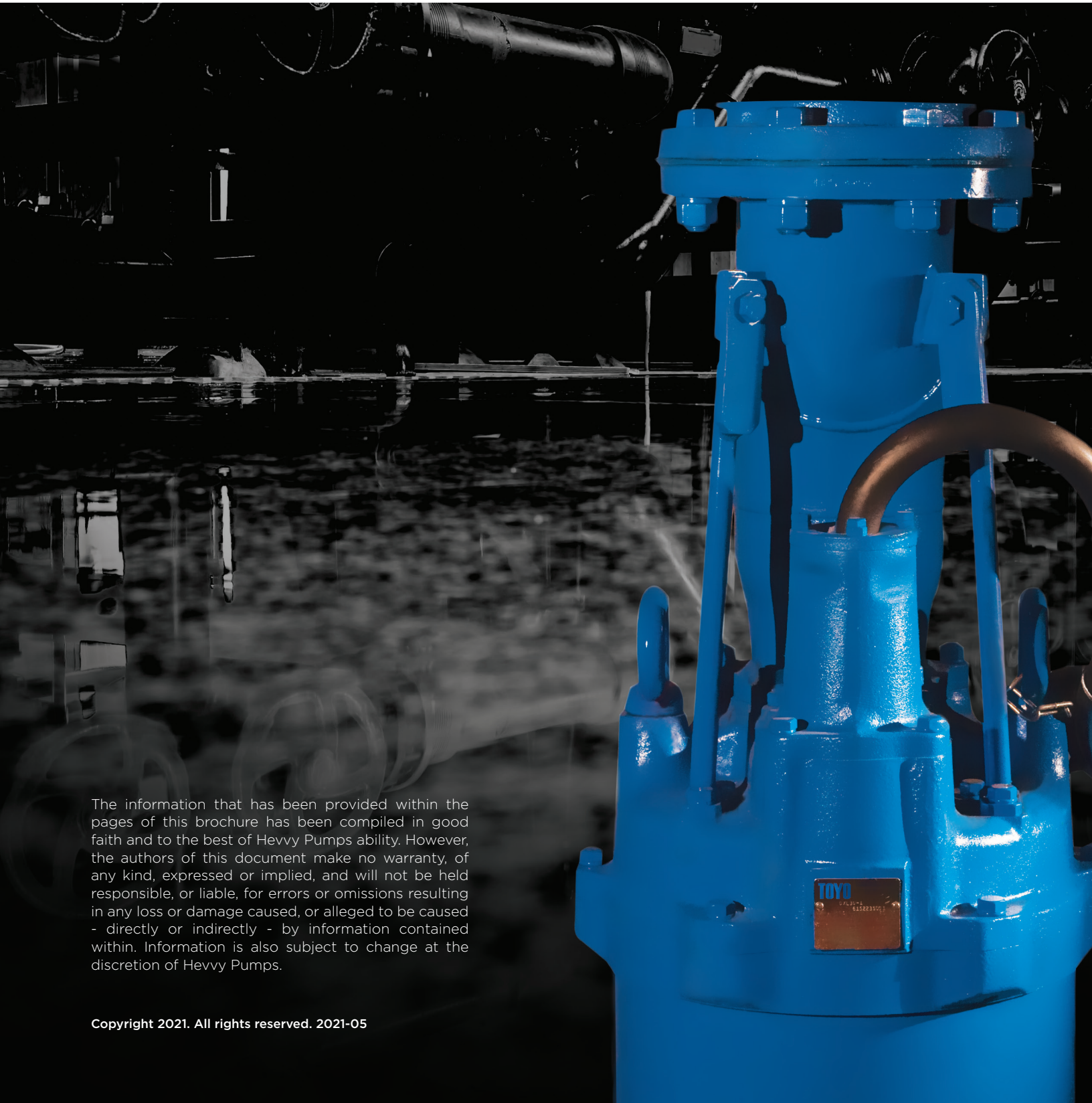
* 2 STAGE PUMP

DXL HIGH HEAD CURVES





Toyo Pumps North America, Corp.
Hevy Pumps, Inc.
1550 Brigantine Drive | Coquitlam, B.C. | Canada V3K 7C1
www.hevypumps.com



The information that has been provided within the pages of this brochure has been compiled in good faith and to the best of Hevy Pumps ability. However, the authors of this document make no warranty, of any kind, expressed or implied, and will not be held responsible, or liable, for errors or omissions resulting in any loss or damage caused, or alleged to be caused - directly or indirectly - by information contained within. Information is also subject to change at the discretion of Hevy Pumps.