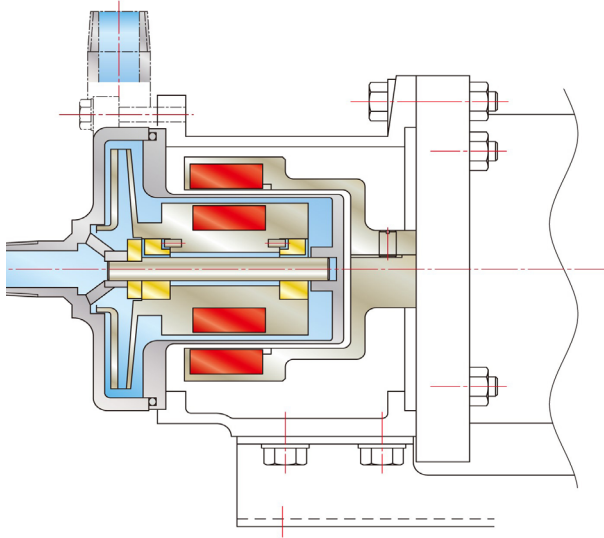


# MMP 11

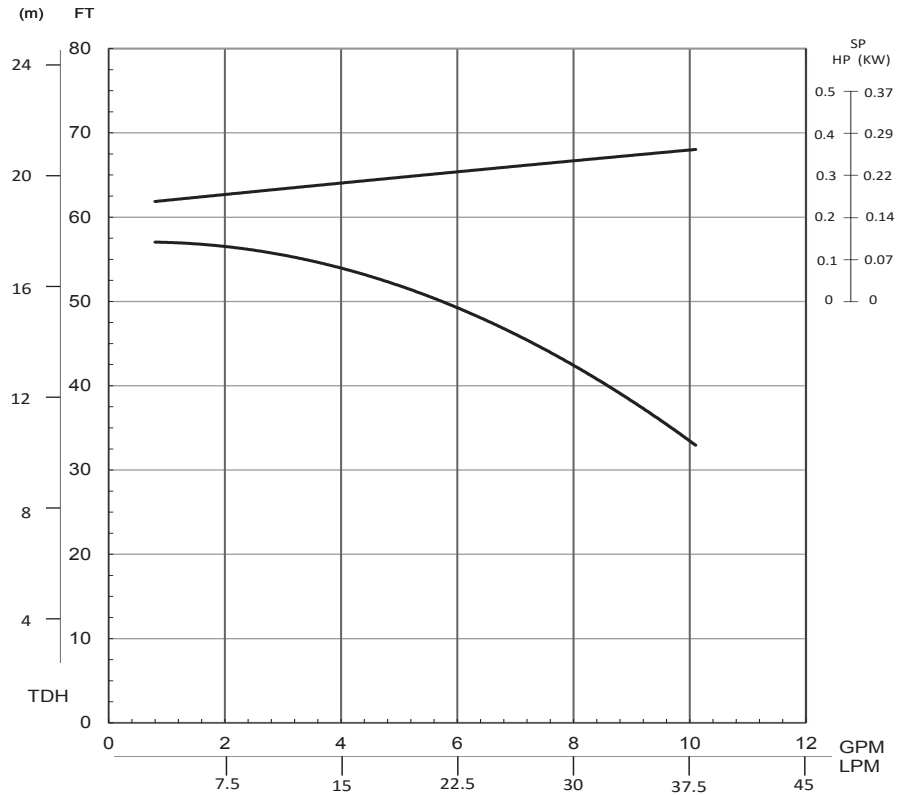
- NEMA Motor provides endless motor possibilities
- Silicon Carbide “-D” Bearings allow for limited dry run operation
- High strength rare earth magnets
- One-piece non-welded machined robust rear casing
- Single gasket eliminates multiple leak paths found in competitive designs
- Temp range: -22°F to 302°F

\*Consult factory for low temperature (as low as -112°F) and high temperature (up to 536°F) applications.

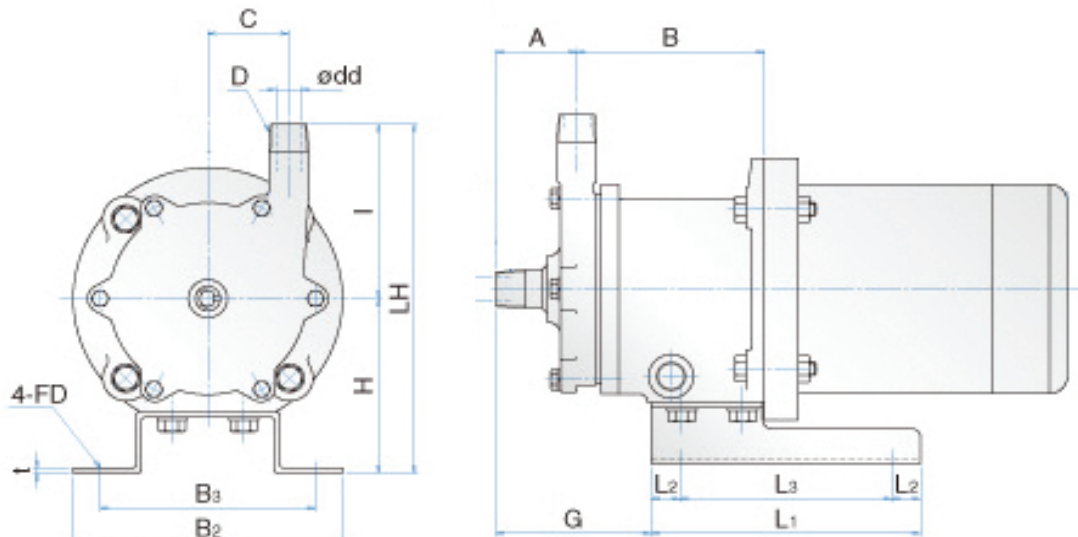


Part Name	Material
Front Casing	Stainless Steel
Rear Casing	Stainless Steel
Impeller	Stainless Steel
Shaft	Stainless Steel
Thrust Ring	SiC
Sleeve	SiC-D
Bearing	SiC
Gasket	PTFE

PUMP SIZE	MOTOR		CAPACITY		
	FRAME SIZE	OUTPUT (HP)	Min. Flow GPM (LPM)	Max. Head Ft (m)	Max. Flow GPM (LPM)
MMP11	56C	3/4	0.8 (3)	56 (17)	10 (38)



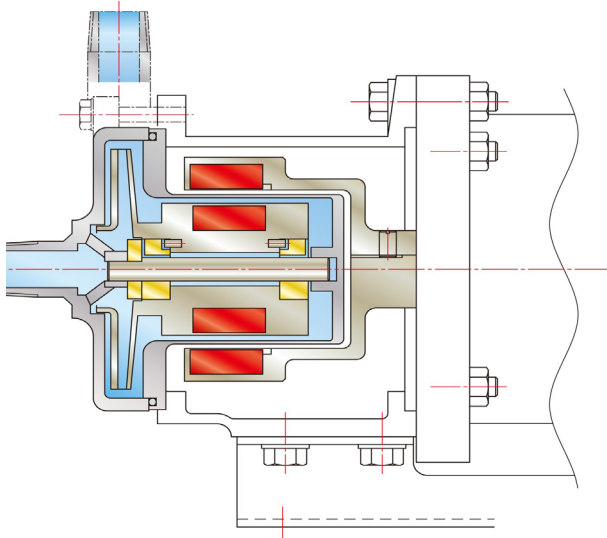
BORE				DIMENSION inches(mm)														PUMP WEIGHT APPROX. (less motor) lb (kg)
SUCTION		DISCHARGE		A	B	C	H	I	LH	G	L1	L2	L3	B2	B3	t	FD	
ds	S	dd	D															
1/2 (15)	1/2 NPT	1/2 (15)	1/2 NPT	1.77 (45)	5.26 (133.5)	1.77 (45)	3.94 (100)	3.94 (100)	7.88 (200)	3.39 (86)	5.91 (150)	0.63 (16)	4.65 (118)	5.91 (150)	4.72 (120)	0.12 (3)	0.37 (9.5)	18 (8)



# MMP 21

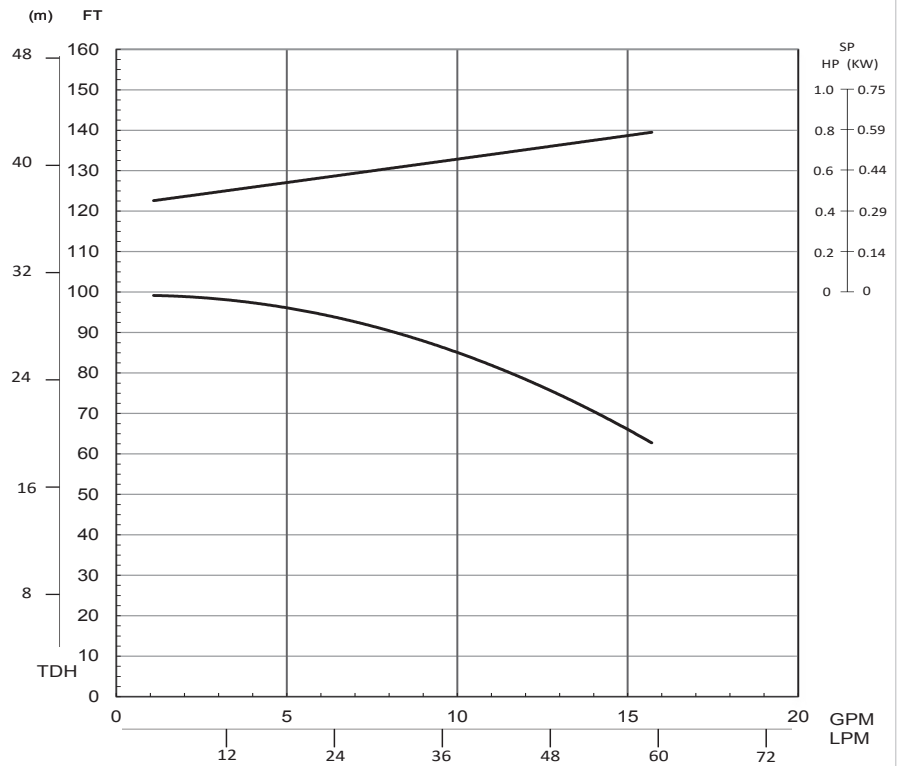
- NEMA Motor provides endless motor possibilities
- Silicon Carbide “-D” Bearings allow for limited dry run operation
- High strength rare earth magnets
- One-piece non-welded machined robust rear casing
- Single gasket eliminates multiple leak paths found in competitive designs
- Temp range: -22°F to 302°F

\*Consult factory for low temperature (as low as -112°F) and high temperature (up to 536°F) applications.

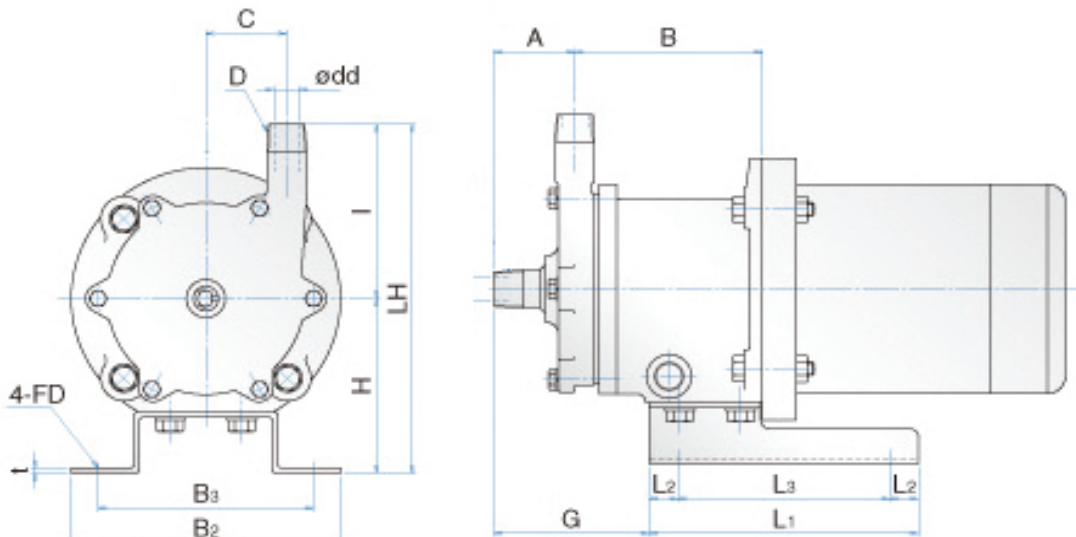


Part Name	Material
Front Casing	Stainless Steel
Rear Casing	Stainless Steel
Impeller	Stainless Steel
Shaft	Stainless Steel
Thrust Ring	SiC
Sleeve	SiC-D
Bearing	SiC
Gasket	PTFE

PUMP SIZE	MOTOR		CAPACITY		
	FRAME SIZE	OUTPUT (HP)	Min. Flow GPM (LPM)	Max. Head Ft (m)	Max. Flow GPM (LPM)
MMP21	56C	3/4	1.1 (4)	100 (30)	15.8 (59.8)



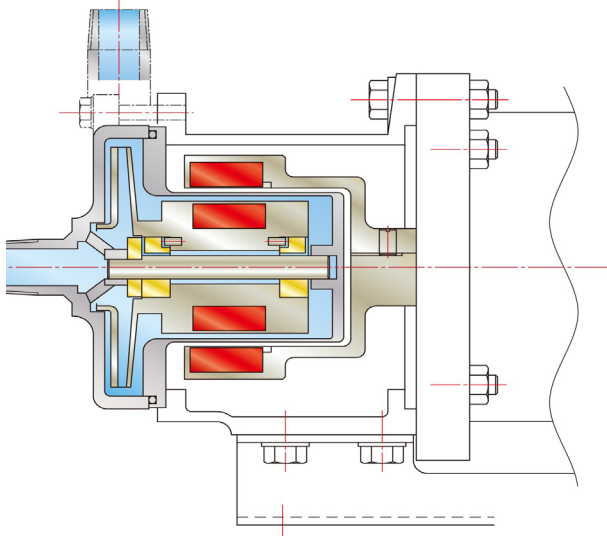
BORE				DIMENSION inches(mm)														PUMP WEIGHT APPROX. (less motor) lb (kg)
SUCTION		DISCHARGE		A	B	C	H	I	LH	G	L1	L2	L3	B2	B3	t	FD	
ds	S	dd	D															
3/4 (20)	3/4 NPT	3/4 (20)	3/4 NPT	1.97 (50)	5.30 (134.5)	1.97 (50)	3.94 (100)	4.72 (120)	8.66 (220)	3.03 (77)	5.91 (150)	0.63 (16)	4.65 (118)	5.91 (150)	4.72 (120)	0.12 (3)	0.37 (9.5)	24.5 (11)



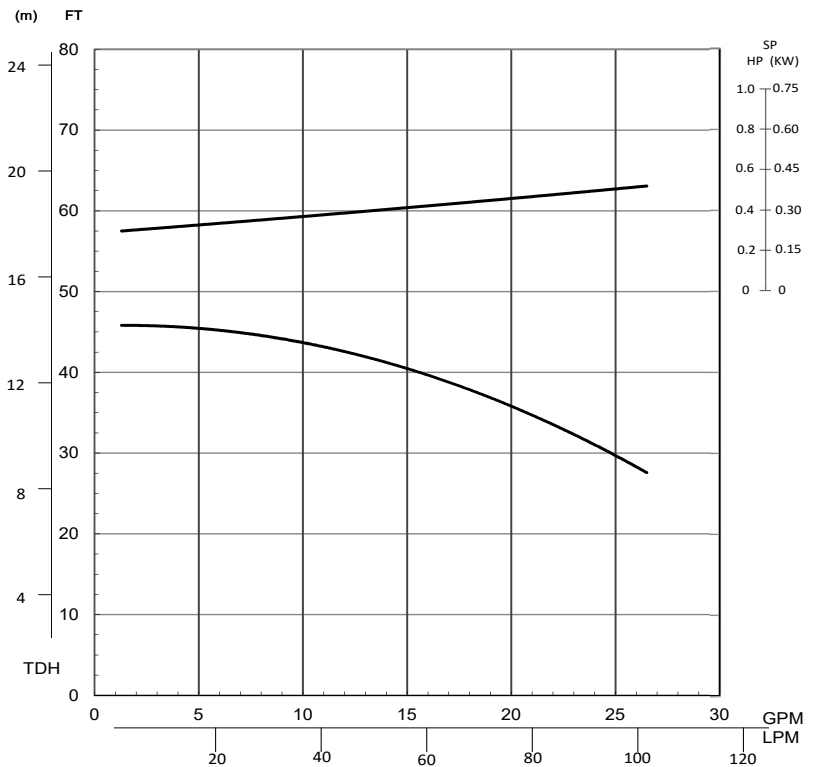
# MMP 22

- NEMA Motor provides endless motor possibilities
- Silicon Carbide “-D” Bearings allow for limited dry run operation
- High strength rare earth magnets
- One-piece non-welded machined robust rear casing
- Single gasket eliminates multiple leak paths found in competitive designs
- Temp range: -22°F to 302°F

\*Consult factory for low temperature (as low as -112°F) and high temperature (up to 536°F) applications.



Part Name	Material
Front Casing	Stainless Steel
Rear Casing	Stainless Steel
Impeller	Stainless Steel
Shaft	Stainless Steel
Thrust Ring	SiC
Sleeve	SiC-D
Bearing	SiC
Gasket	PTFE



PUMP SIZE	MOTOR		CAPACITY		
	FRAME SIZE	OUTPUT (HP)	Min. Flow GPM (LPM)	Max. Head Ft (m)	Max. Flow GPM (LPM)
MMP22	56C	3/4	1.3 (5)	46 (14)	26.5 (100.3)

BORE				DIMENSION inches(mm)														PUMP WEIGHT APPROX. (less motor) lb (kg)
SUCTION		DISCHARGE		A	B	C	H	I	LH	G	L1	L2	L3	B2	B3	t	FD	
ds	S	dd	D															
1 (25)	1 NPT	1 (25)	1 NPT	2.36 (60)	5.33 (135.5)	1.77 (45)	3.94 (100)	3.94 (100)	7.88 (200)	4.06 (103)	5.91 (150)	0.63 (16)	4.65 (118)	5.91 (150)	4.72 (120)	0.12 (3)	0.37 (9.5)	22 (10)

