

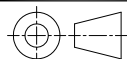
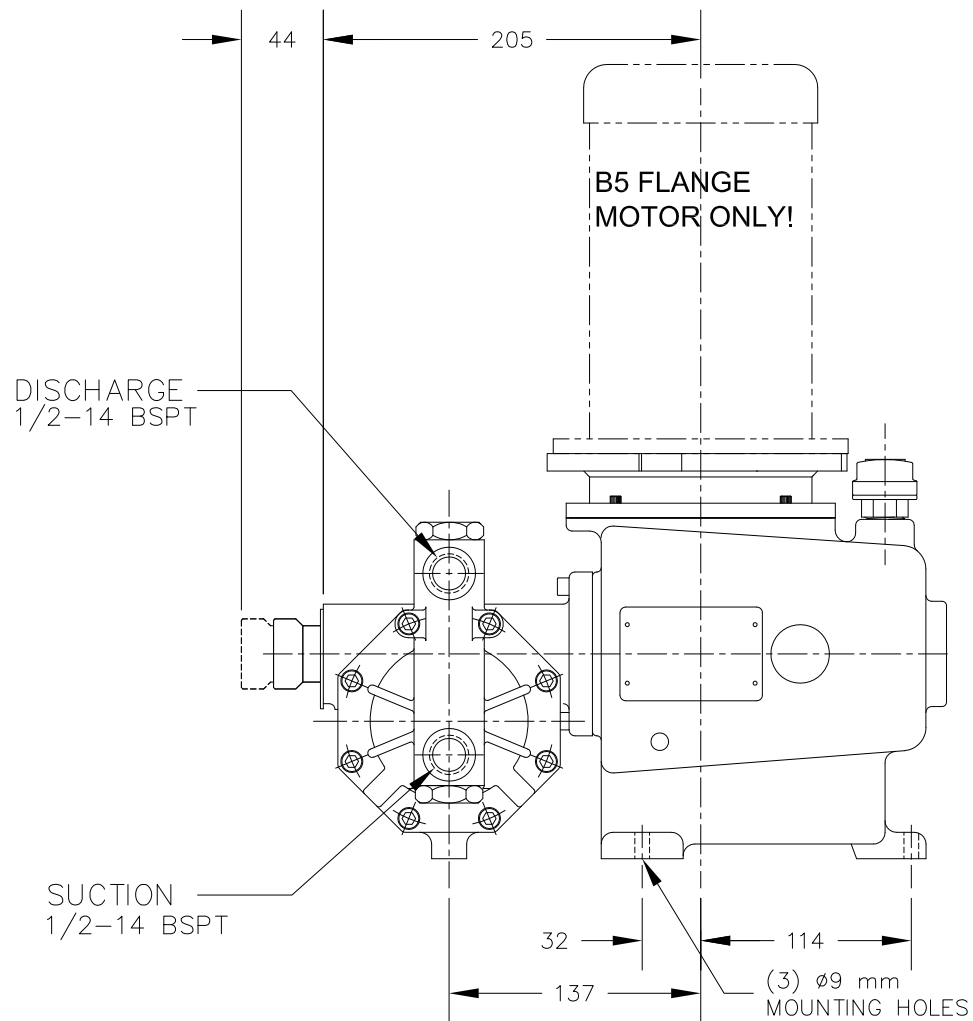
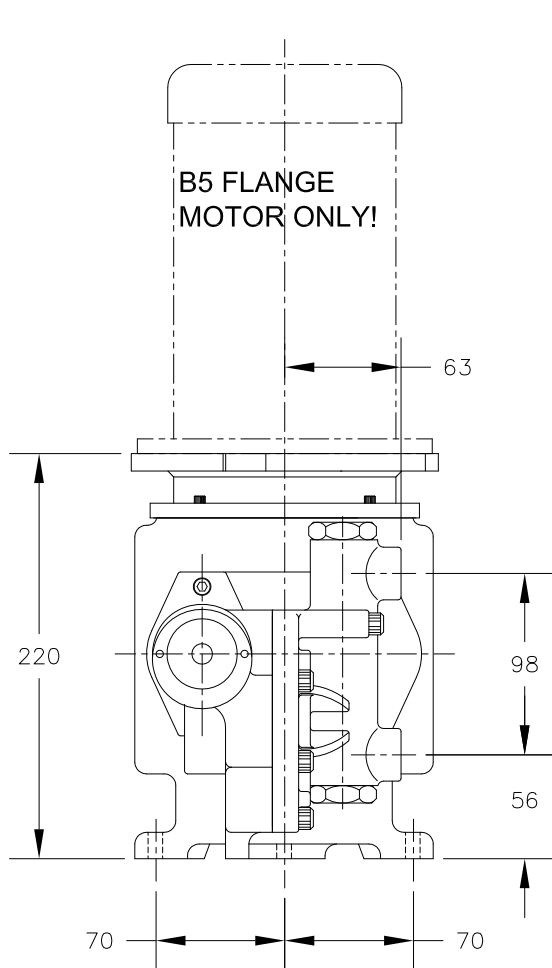


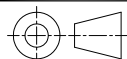
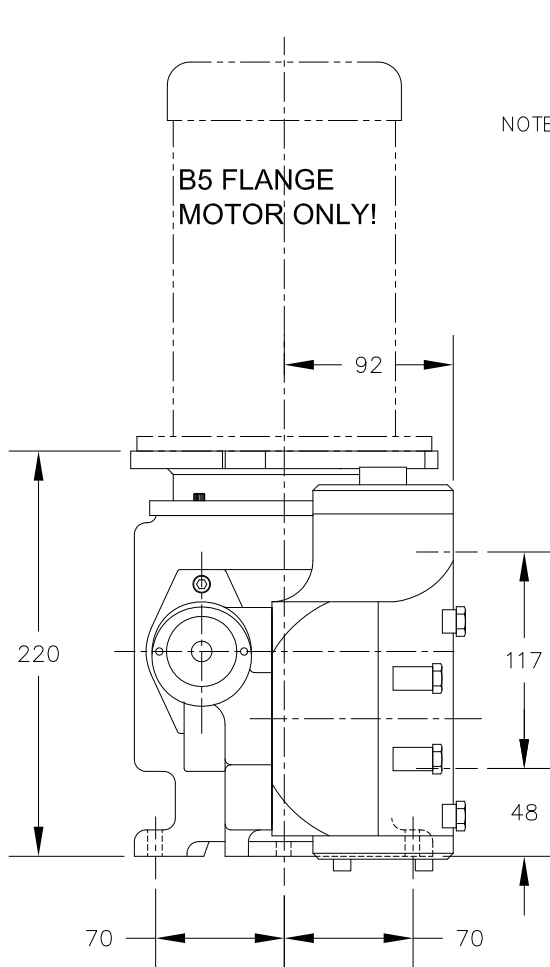


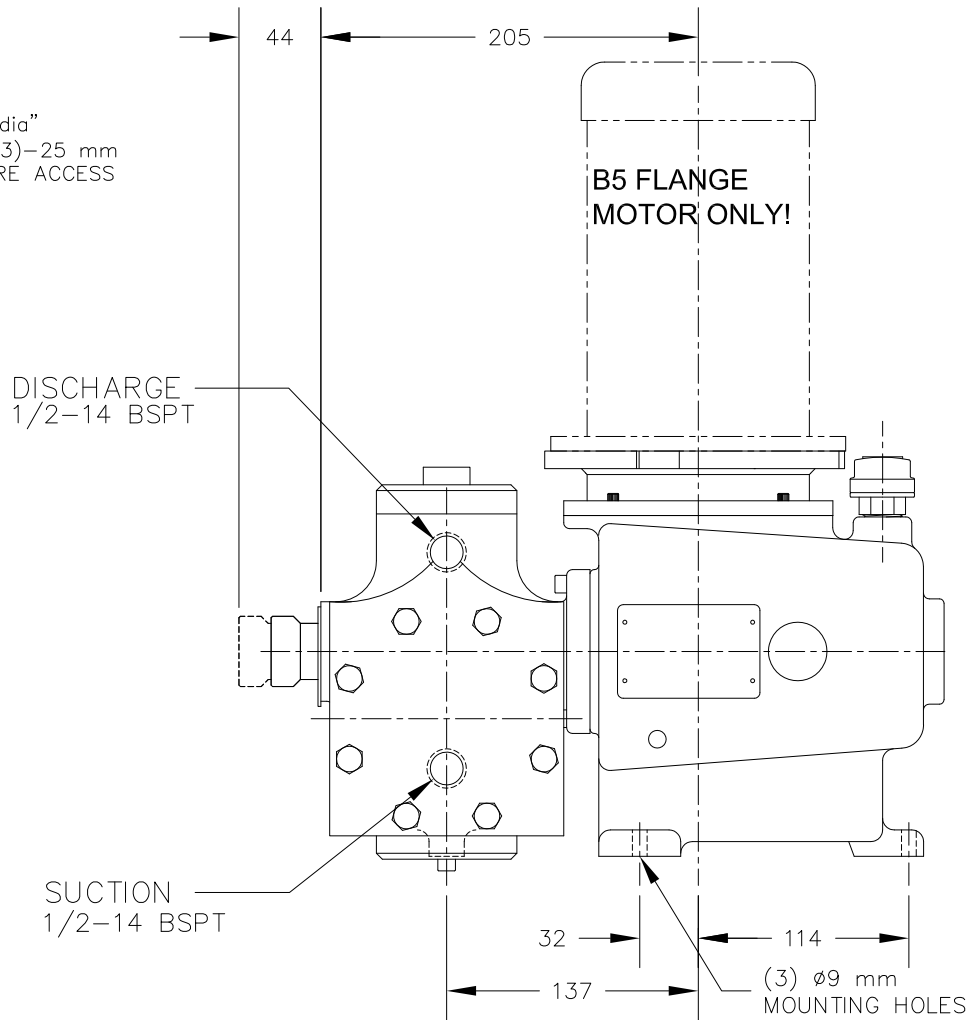
<small>THIS DOCUMENT CONTAINS PROPRIETARY INFORMATION OF PSG - A DOVER COMPANY. ITS RECEIPT AND POSSESSION DO NOT CONVEY ANY RIGHTS TO REPRODUCE OR DISCLOSE ITS CONTENTS OR TO MANUFACTURE USE OR SELL ANYTHING IT MAY DESCRIBE. THIS DOCUMENT IS SUBJECT TO RETURN UPON REQUEST. REPRODUCTION, DISCLOSURE OR USE OF THIS DOCUMENT WITHOUT THE WRITTEN AUTHORIZATION OF DOVER CORPORATION IS STRICTLY FORBIDDEN.</small>		DO NOT SCALE DRAWING UNLESS OTHERWISE SPECIFIED DIMENSIONS ARE IN INCHES TOLERANCES ARE: DECIMALS .XX ± .01 .XXX ± .005 ANGLES ± 1/2°		  <small>NEPTUNE PUMPS GRAND TERRACE, CA 92313 USA 909 424-7700 WWW.NEPTUNE1.COM</small>	
THIRD ANGLE PROJECTION		TITLE SERIES 500 SIMPLEX "dia" PUMP METAL HD WITH STANDARD MOTOR		SIZE C	
		DRAWING NO. 500-S-N3		REV. .	
DRAWN BY GL		DATE		SCALE 1/1	
APPROVED BY		DATE		SHEET 1	



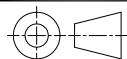


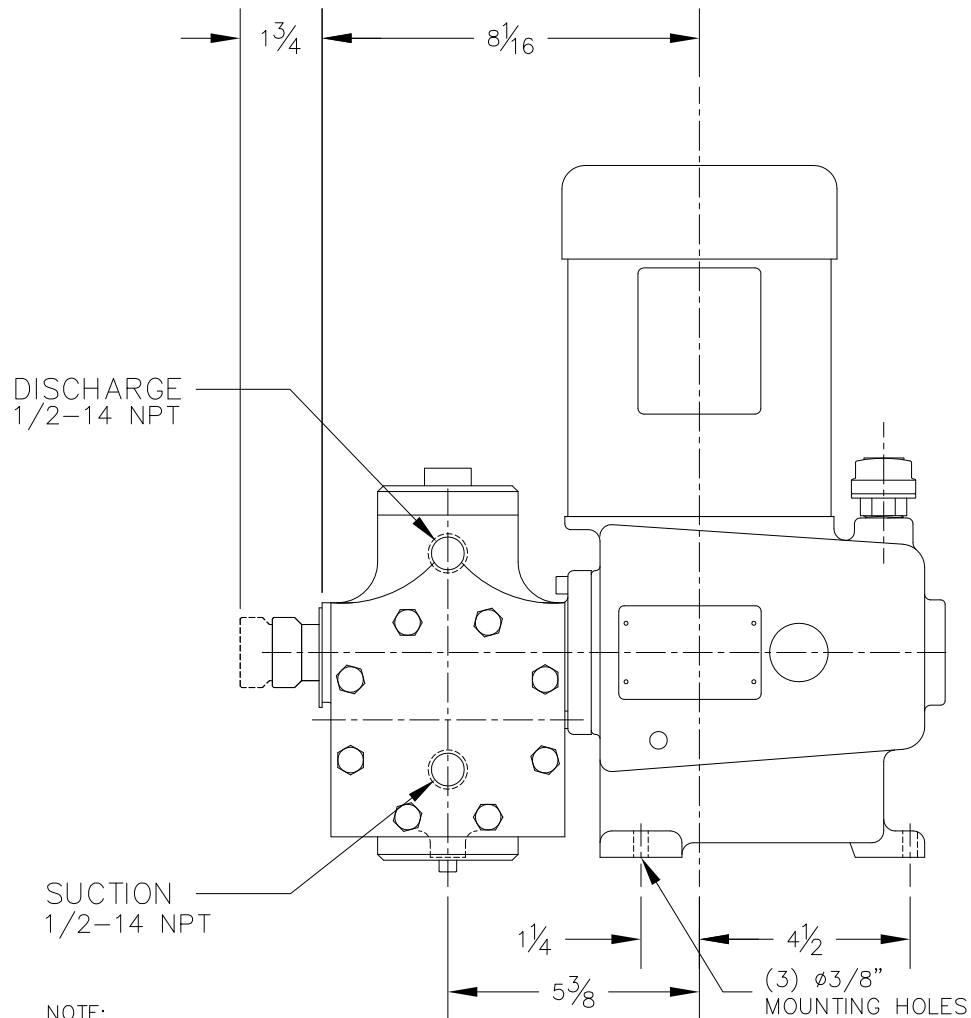
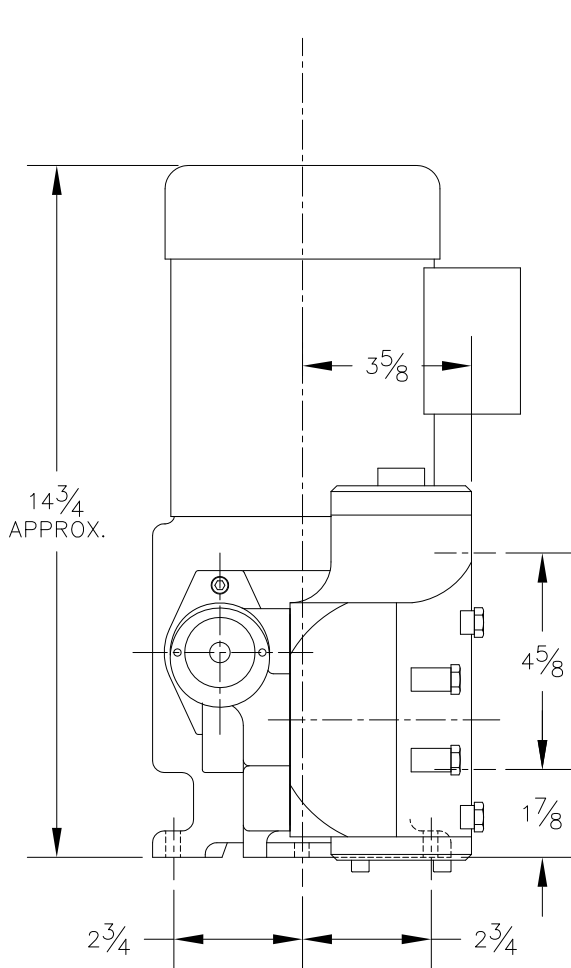
<small>THIS DOCUMENT CONTAINS PROPRIETARY INFORMATION OF PSG - A DOVER COMPANY. ITS RECEIPT AND POSSESSION DO NOT CONVEY ANY RIGHTS TO REPRODUCE OR DISCLOSE ITS CONTENTS OR TO MANUFACTURE, USE OR SELL ANYTHING IT MAY DESCRIBE. THIS DOCUMENT IS SUBJECT TO RETURN UPON REQUEST. REPRODUCTION, DISCLOSURE OR USE OF THIS DOCUMENT WITHOUT THE WRITTEN AUTHORIZATION OF DOVER CORPORATION IS STRICTLY FORBIDDEN.</small>		DO NOT SCALE DRAWING UNLESS OTHERWISE SPECIFIED DIMENSIONS ARE IN INCHES TOLERANCES ARE: DECIMALS .XX ± .01 .XXX ± .005 ANGLES ± 1/2°		  <small>NEPTUNE PUMPS GRAND TERRACE, CA 92313 USA 909 424-7700 WWW.NEPTUNE1.COM</small>	
THIRD ANGLE PROJECTION 		TITLE SERIES 500-E "dia" PUMP METAL HEAD WITH FALP-D71		SIZE C	
DRAWN BY GL		DATE		DRAWING NO. 500-S-N3-METRIC	
APPROVED BY		DATE		SCALE 1/1	
				SHEET 1	





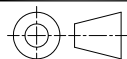
NOTE: ALL SERIES 500 PVC HEAD "dia"
PUMPS ARE SUPPLIED WITH (3)-25 mm
MOUNTING SPACERS TO INSURE ACCESS
TO SUCTION VALVES.



<small>THIS DOCUMENT CONTAINS PROPRIETARY INFORMATION OF PSG - A DOVER COMPANY. ITS RECEIPT AND POSSESSION DO NOT CONVEY ANY RIGHTS TO REPRODUCE OR DISCLOSE ITS CONTENTS OR TO MANUFACTURE USE OR SELL ANYTHING IT MAY DESCRIBE. THIS DOCUMENT IS SUBJECT TO RETURN UPON REQUEST. REPRODUCTION, DISCLOSURE OR USE OF THIS DOCUMENT WITHOUT THE WRITTEN AUTHORIZATION OF DOVER CORPORATION IS STRICTLY FORBIDDEN.</small>		DO NOT SCALE DRAWING UNLESS OTHERWISE SPECIFIED DIMENSIONS ARE IN INCHES TOLERANCES ARE: DECIMALS .XX ± .01 .XXX ± .005 ANGLES ± 1/2°		  <small>NEPTUNE PUMPS GRAND TERRACE, CA 92313 USA 909 424-7700 WWW.NEPTUNE1.COM</small>	
THIRD ANGLE PROJECTION		TITLE SERIES 500 SIMPLEX "dia" PUMP PLASTIC HD WITH FALP-D71		SIZE C	
		DRAWING NO. 500-S-N5-METRIC		REV. .	
DRAWN BY GL		DATE		SCALE 1/1	
APPROVED BY		DATE		SHEET 1	



NOTE:
 ALL SERIES 500 PVC HEAD "dia"
 PUMPS ARE SUPPLIED WITH (3)-1"
 MOUNTING SPACERS TO INSURE
 ACCESS TO SUCTION VALVES.

<small>THIS DOCUMENT CONTAINS PROPRIETARY INFORMATION OF PSG - A DOVER COMPANY. ITS RECEIPT AND POSSESSION DO NOT CONVEY ANY RIGHTS TO REPRODUCE OR DISCLOSE ITS CONTENTS OR TO MANUFACTURE USE OR SELL ANYTHING IT MAY DESCRIBE. THIS DOCUMENT IS SUBJECT TO RETURN UPON REQUEST. REPRODUCTION, DISCLOSURE OR USE OF THIS DOCUMENT WITHOUT THE WRITTEN AUTHORIZATION OF DOVER CORPORATION IS STRICTLY FORBIDDEN.</small>		DO NOT SCALE DRAWING UNLESS OTHERWISE SPECIFIED DIMENSIONS ARE IN INCHES TOLERANCES ARE: DECIMALS .XX ± .01 .XXX ± .005 ANGLES ± 1/2°		  NEPTUNE PUMPS GRAND TERRACE, CA 92313 USA 909 424-7700 WWW.NEPTUNE1.COM	
THIRD ANGLE PROJECTION		TITLE SERIES 500 SIMPLEX "dia" PUMP PLASTIC HD WITH STANDARD MOTOR		SIZE C	
		DRAWN BY GL		DATE	
APPROVED BY		DATE		DRAWING NO. 500-S-N5	
		SCALE 1/1		SHEET 1	